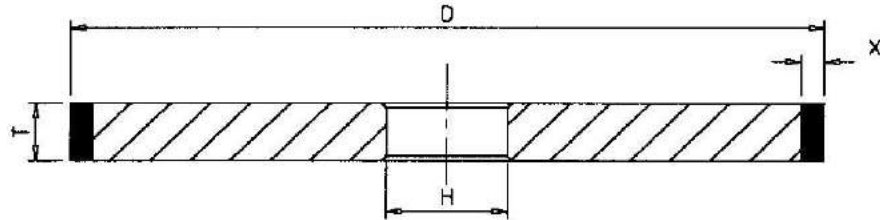
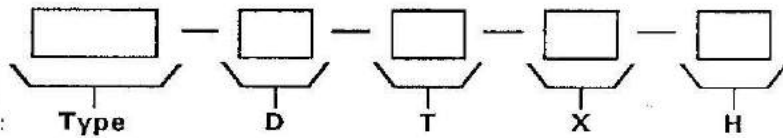


# Type 1A1



PLEASE SPECIFY:  
 BITTE GENAU ANGEBEN:  
 SPÉCIFIEZ SVP:  
 POR FAVOR ESPECIFIQUE:  
 PER FAVORE SPECIFICATE:

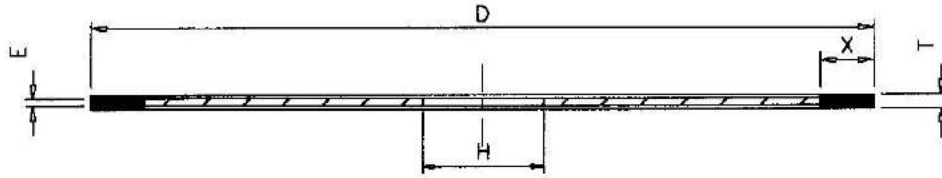


D	T	X							H
75-100	6-8-10	2-3-4-5-6							
125-150	6-8-10-12-15	3-4-5-6-8							
175-200	6-8-10-12-15	3-4-5-6							
250-300	8-10-12-15	3-4-5-6-8-10							
350	10-12-15-20	3-4-5-6-8-10							
400	10-12-15-20	3-4-5-6-7-8-10							
450	10-12-15-20	6-10							

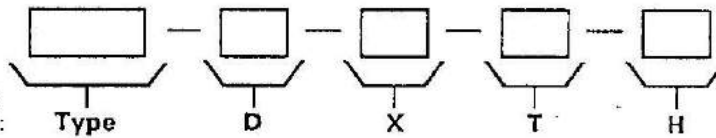
Bore Diameter - Bohrungsdiam. - Diamètre de l'alésage  
 Diametro del orificio - Diámetro del foro

\* In questa tabella le misure sono in "mm"  
 \* In this table all dimension are in "mm"

## Type 1A1R



PLEASE SPECIFY:  
 BITTE GENAU ANGEBEN:  
 SPÉCIFIEZ SVP:  
 POR FAVOR ESPECIFIQUE:  
 PER FAVORE SPECIFICATE:

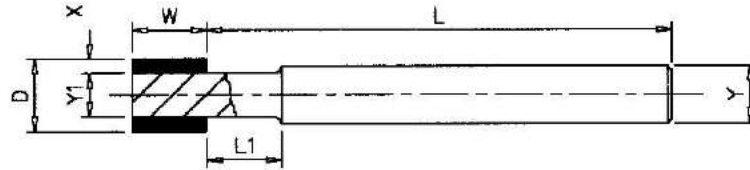


D	X	T	E						H
75	5	0.8-1-1.2-1.5-2-2.5-3	0.6÷2						
100	6	0.8-1.2-1.5-2-2.5-3	0.6÷2						
125	6	1-1.2-1.5-2-2.5-3	0.8÷2						
150	6	1-1.2-1.5-2-2.5-3	0.8÷2						
175	6	1-1.2-1.5-2-2.5-3	0.8÷2						
200	6	1-1.2-1.5-2-2.5-3	0.8÷2						

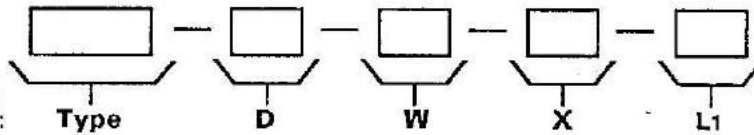
Bore Diameter - Bohrungsdiamess - Diamètre de l'alésage  
 Diameter del orificio - Diametro del foro

\* In questa tabella le misure sono in "mm "  
 \* In this table all dimension are in "mm "

# Type 1A1W



PLEASE SPECIFY:  
 BITTE GENAU ANGEBEN:  
 SPÉCIFIEZ SVP:  
 POR FAVOR ESPECIFIQUE:  
 PER FAVORE SPECIFICATE:

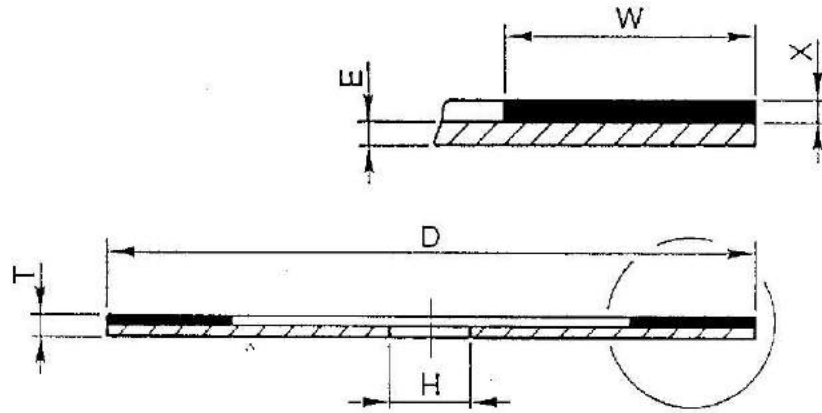


D	W	X	Y	L	L1	Y1			
5-6	5-6-10	2	3-4-6	60	5	D-2X			
8-10	5-6-10	2	6	60	5	D-2X			
12	5-6-10	3	6	60	5	D-2X			

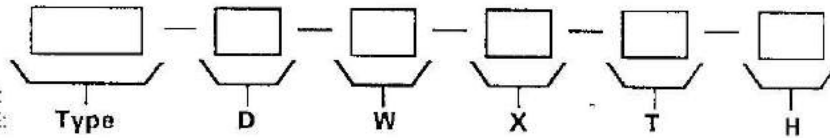
\* In questa tabella le misure sono in "mm"

\* In this table all dimension are in "mm"

# Type 1A2



PLEASE SPECIFY:  
 BITTE GENAU ANGEBEN:  
 SPÉCIFIEZ SVP:  
 POR FAVOR ESPECIFIQUE:  
 PER FAVORE SPECIFICATE:



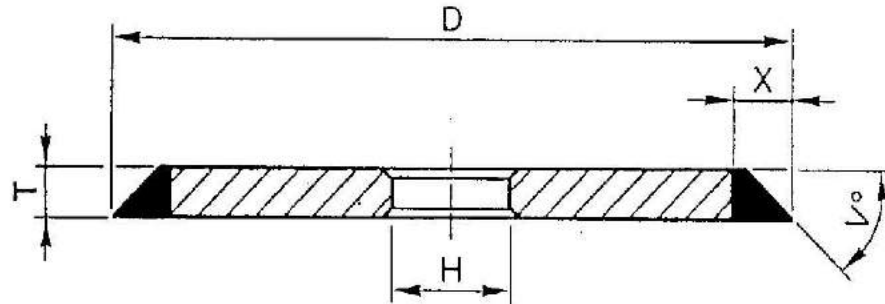
D	W	X	T	E					H
125	4-6	1-1.5	2÷2.5	T-X					
150	4-6	1-1.5	2÷2.5	T-X					

Fore Diameter - Bohrungsdiam. - Diamètre de l'alésage  
 Diámetro del orificio - Diámetro del foro

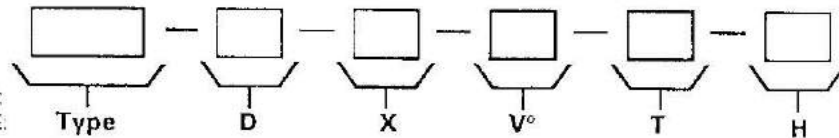
\* In questa tabella le misure sono in "mm"  
 \* In this table all dimension are in "mm"



# Type 1B1



PLEASE SPECIFY:  
 BITTE GÄU AU ANGEBEN:  
 SPÉCIFIEZ SVP:  
 POR FAVOR ESPECIFIQUE:  
 PER FAVORE SPECIFICATE:

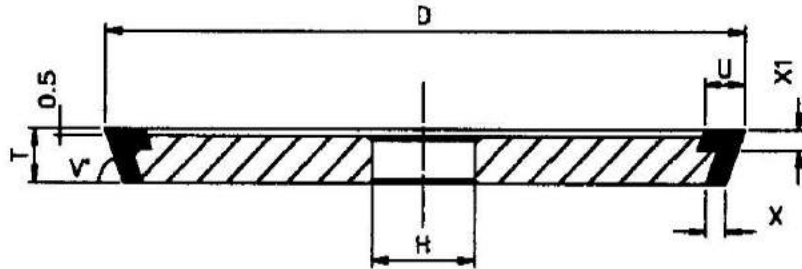


D	T	X	V°						H
100	2-3-4-5	5-6-8-10	A RICHIESTA						Bore Diameter - Bohrungsdiam. - Diamètre de l'alésage Diámetro del orificio - Diámetro del foro
125	2-3-4-5	5-6-8-10							
150	3-4-5-6	5-6-8-10							
175	3-4-5-6	5-6-8-10							
200	3-4-5-6	5-6-8-10							

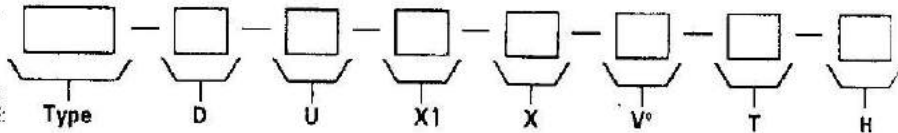
\* In questa tabella le misure sono in "mm "

\* In this table all dimension are in "mm "

# Type 1BB9



PLEASE SPECIFY:  
 BITTE GENAU ANGEBEN:  
 SPÉCIFIEZ SVP:  
 POR FAVOR ESPECIFIQUE:  
 PER FAVORE SPECIFICATE:

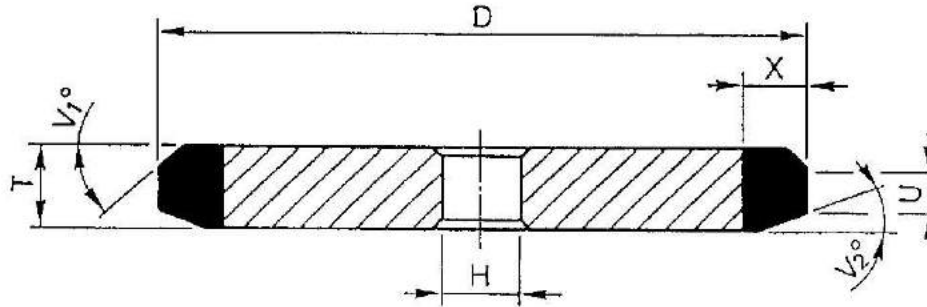


D	T	U	X	X <sub>1</sub>	V°				H
75	6-8-10	6-8-10	3-4	2-3	20-30-45				
100	6-8-10	6-8-10	3-5	2-3	20-30-45				
125	6-8-10	6-8-10	3-4-6	2-3	20-30-45				

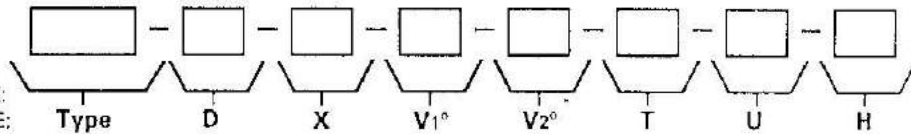
Bore Diameter - Bohrungsdiameter - Diamètre de l'alésage  
 Diametro del orificio - Diámetro del foro

\* In questa tabella le misure sono in "mm "  
 \* In this table all dimension are in "mm "

# Type 1DD1



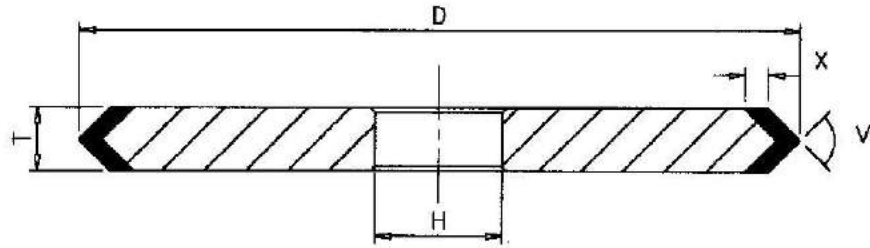
PLEASE SPECIFY:  
 BITTE GENAU ANGEBEN:  
 SPÉCIFIEZ SVP:  
 POR FAVOR ESPECIFIQUE:  
 PER FAVORE SPECIFICATE:



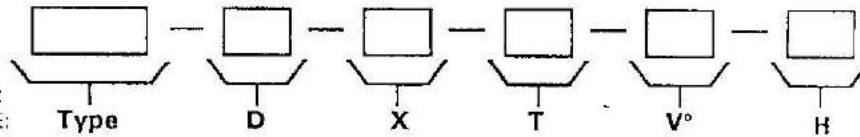
D	T	X	U	V1	V2				H
75	6-8-10	5-6	0.9-1.9-2.5-2.8-3.7-4	45	22				Bore Diameter - Bohrungsdiam. - Diamètre de l'alésage Diametro del orificio - Diámetro del foro
100	6-8-10	5-6-8							
125	6-8-10	5-6-8							

\* In questa tabella le misure sono in "mm "  
 \* In this table all dimension are in "mm "

# Type 1EE1



PLEASE SPECIFY:  
 BITTE GENAU ANGEBEN:  
 SPÉCIFIEZ SVP:  
 POR FAVOR ESPECIFIQUE:  
 PER FAVORE SPECIFICATE:

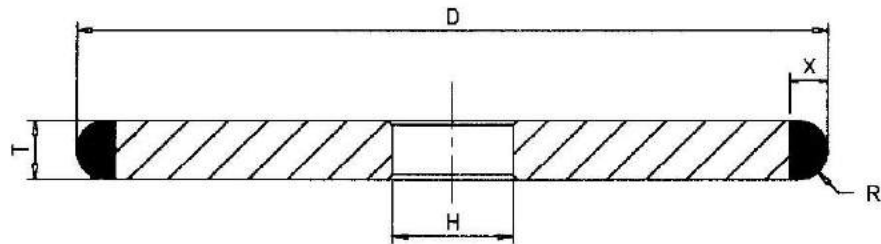


D	T	X	V°						H
75	3-4-5-6-8-10	3-4-5	30-40-50-60-90-100-110-120-140						Bore Diameter - Bohrungsdiam. - Diamètre de l'alésage Diametro del orificio - Diámetro del foro
100	3-4-5-6-8-10-12	3-4-6							
125	3-4-6	3-4-6							
150	3-4-6-8	3-4-6-8							
175	3-4-6-8	3-4-6-8							
200	3-4-6-8	3-4-6-8							

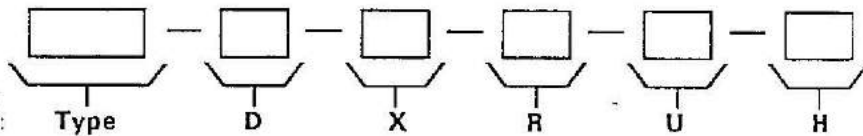
\* In questa tabella le misure sono in "mm "  
 \* In this table all dimension are in "mm "



# Type 1F1



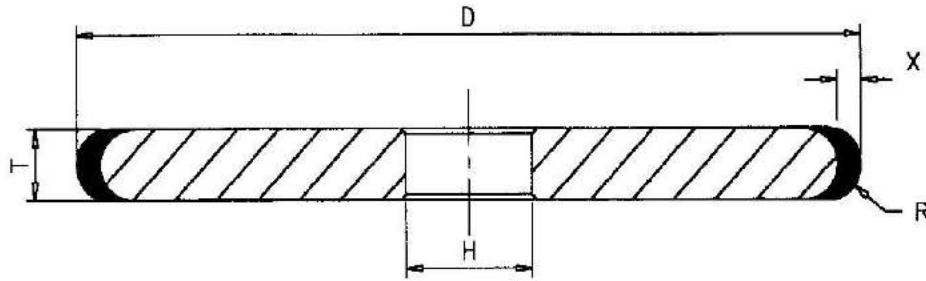
PLEASE SPECIFY:  
 BITTE GENAU ANGEBEN:  
 SPÉCIFIEZ SVP:  
 POR FAVOR ESPECIFIQUE:  
 PER FAVORE SPECIFICATE:



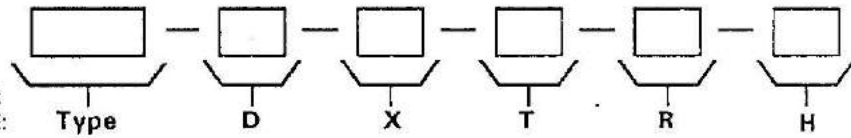
D	T	X	U						H
50	1-1.5-2-2.5-3-3.5-4-5	5	2R						Bore Diameter - Bohrungsdiamess - Diamètre de l'alésage Diámetro del orificio - Diámetro del foro
75	1-1.5-2-2.5-3-3.5-4-5	5-8	2R						
100	1-1.5-2-2.5-3-3.5-4-5	5-6-8	2R						
125	1-1.5-2-2.5-3-3.5-4-5	5-6-8	2R						
150	1-1.5-2-2.5-3-3.5-4-5	5-6-8-10	2R						

\* In questa tabella le misure sono in "mm "  
 \* In this table all dimension are in "mm "

# Type 1FF1



PLEASE SPECIFY:  
 BITTE GENAU ANGEBEN:  
 SPÉCIFIEZ SVP:  
 POR FAVOR ESPECIFIQUE:  
 PER FAVORE SPECIFICATE:

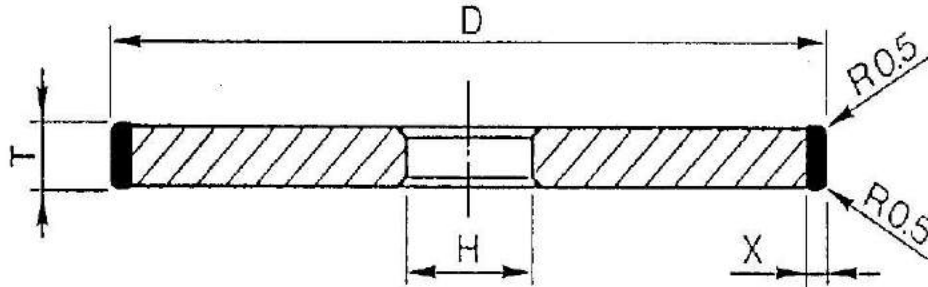


D	T	X	R						H
75	8-10	2-3	4-5						
100	8-10-12	2-3	4-5-6						
125	8-10-12-20	2-3	4-5-6-10						
150	8-10-12-20	2-3	4-5-6-10						

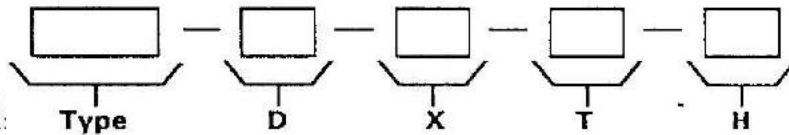
Bore Diameter - Bohrungsdiam. - Diamètre de l'alésage  
 Diámetro del orificio - Diámetro del foro

\* In questa tabella le misure sono in "mm "  
 \* In this table all dimension are in "mm "

## Type 1L1



PLEASE SPECIFY:  
 BITTE GENAU ANGEBEN:  
 SPÉCIFIEZ SVP:  
 POR FAVOR ESPECIFIQUE:  
 PER FAVORE SPECIFICATE:

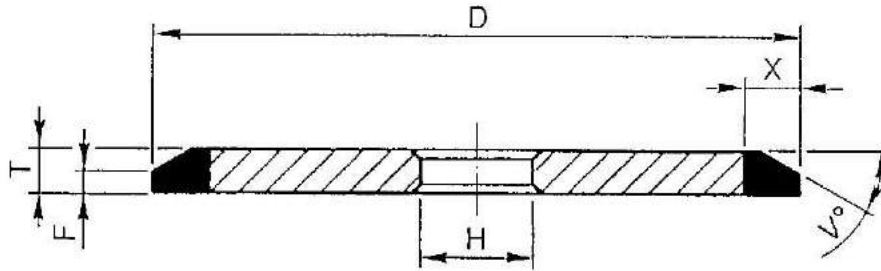


D	T	X	R						H
75/100	4-5-6-8-10-12-15	3-4-5	0.5						Bore Diameter - Bohrungsdiamess - Diamètre de l'alésage Diámetro del orificio - Diámetro del foro
125/150	4-5-6-8-10-12-15	3-4-5	0.5						
175	5-6-8-10-12-15	3-4-5	0.5						
200	6-8-10-12-15-20	3-4-5	0.5						
250	8-10-12-15-20	3-4-5	0.5						
300	10-12-15-20	3-4-5	0.5						
350	10-12-15-20	3-4-5	0.5						
400	10-12-15-20	3-4-5	0.5						

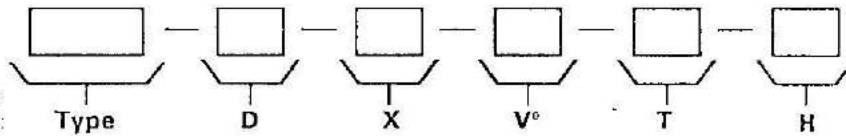
\* In questa tabella le misure sono in "mm "

\* In this table all dimension are in "mm "

# Type 1M1



PLEASE SPECIFY :  
 BITTE GENAU ANGEBEN:  
 SPÉCIFIEZ SVP:  
 POR FAVOR ESPECIFIQUE:  
 PER FAVORE SPECIFICATE:



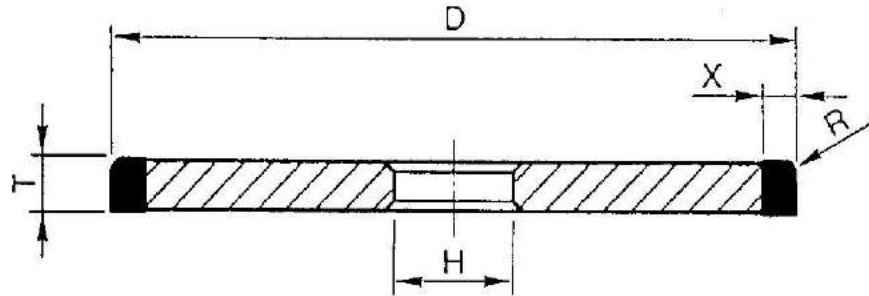
D	T	X	V°	F					H
75	3-4	5-6	30-45-60	0.5-1-2					
100	3-4-5	5-6-8	30-45-60	0.5-1-2					
125	3-4-5	5-6-8-10	30-45-60	0.5-1-2					
150	3-4-5	5-6-8-10	30-45-60	0.5-1-2					

Bore Diameter - Bohrungsdiam. - Diamètre de l'alésage  
 Diámetro del orificio - Diámetro del foro

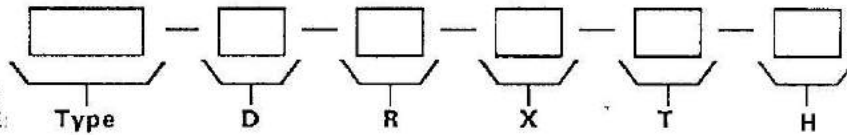
\* In questa tabella le misure sono in "mm "  
 \* In this table all dimension are in "mm "



## Type 1Q1



PLEASE SPECIFY:  
 BITTE GENAU ANGEBEN:  
 SPÉCIFIEZ SVP:  
 POR FAVOR ESPECIFIQUE:  
 PER FAVORE SPECIFICATE:

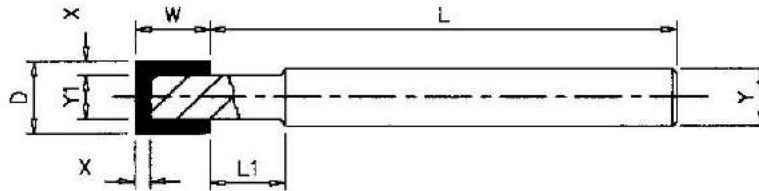


D	T	X	R						H
75-100	4-5-6-8-10-12-15	3-4-5-6	0.5-1-2						
125-150	4-5-6-8-10-12-15	3-4-5-6	0.5-1-2						
175	5-6-8-10-12-15	3-4-5-6	0.5-1-2						
200	6-8-10-12-15-20	3-4-5-6	0.5-1-2						
250	8-10-12-15-20	3-4-5-6	0.5-1-2						
300	10-12-15-20	3-4-5-6	0.5-1-2						
350	10-12-15-20	3-4-5-6	0.5-1-2						
400	10-12-15-20	3-4-5-6	0.5-1-2						

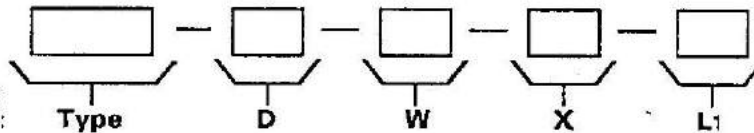
Bore Diameter - Bohrungsdiam. - Diamètre de l'alésage  
 Diámetro del orificio - Diámetro del foro

\* In questa tabella le misure sono in "mm "  
 \* In this table all dimension are in "mm "

# Type 1U1W



**PLEASE SPECIFY:**  
 BITTE GENAU ANGEBEN:  
 SPÉCIFIEZ SVP:  
 POR FAVOR ESPECIFIQUE:  
 PER FAVORE SPECIFICATE:

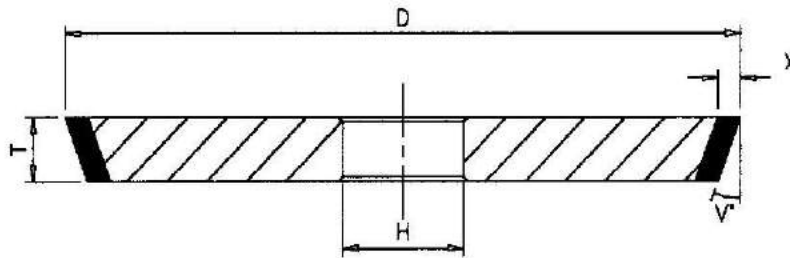


D	W	X	Y	L1	L				H
5	5-6-10	2	3-4-6	5	60				
6	5-6-10	2	4-6	5	60				
8	5-6-10	2	6	5	60				
10	5-6-10	2	6	5	60				
12	5-6-10	3	6	5	60				

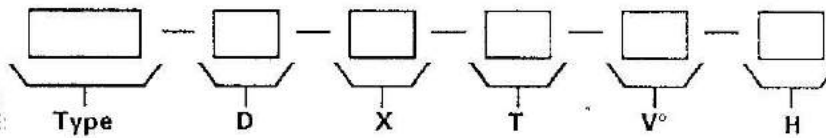
Bore Diameter - Bohrungsdiam. - Diamètre de l'alésage  
 Diámetro del orificio - Diámetro del foro

\* In questa tabella le misure sono in "mm "  
 \* In this table all dimension are in "mm "

# Type 1V1



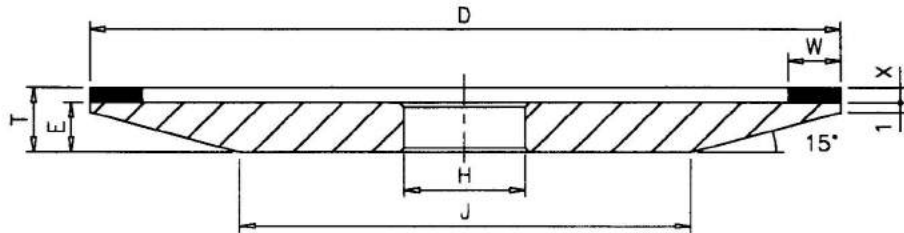
PLEASE SPECIFY:  
 BITTE GENAU ANGEBEN:  
 SPÉCIFIEZ SVP:  
 POR FAVOR ESPECIFIQUE:  
 PER FAVORE SPECIFICATE:



D	T	X	V°						H
75	5-6-8-10	3-4-5	5-10-15-20-25-30-45-50-60						Bore Diameter - Bohrungsdiam. - Diamètre de l'alésage Diámetro del orificio - Diámetro del foro
100	5-6-8-10-12	3-4-6-8							
125	8-10-12-15	3-4-5-6-8							
150	10-12-15	3-4-6-8							

\* In questa tabella le misure sono in "mm "  
 \* In this table all dimension are in "mm "

# Type 4A2



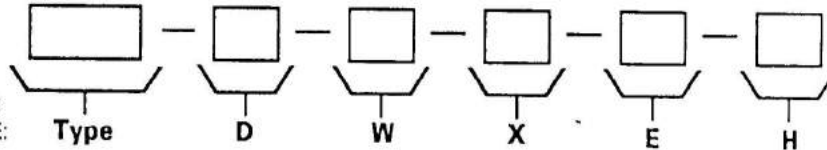
**PLEASE SPECIFY:**

BITTE GENAU ANGEBEN:

SPÉCIFIEZ SVP:

POR FAVOR ESPECIFIQUE:

PER FAVORE SPECIFICATE:



D	W	X	T	E	J				H
75	3-4-5-6	2-3-4	E+X	6	48				
100	3-4-5-6	2-3-4	E+X	6	63				
125	4-5-6-8	2-3-4	E+X	7	80				
150	4-6-8-10	2-3-4-5-6	E+X	9	90				
175	4-6-8-10	2-3-4-5-6	E+X	10	110				
200	5-6-8-10	2-3-4-5-6	E+X	10	135				

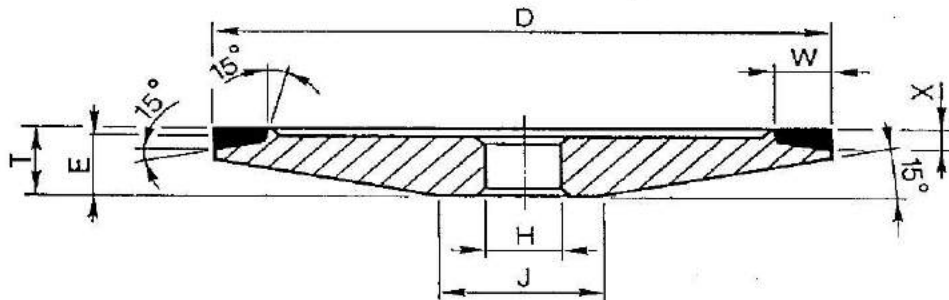
Bore Diameter - Bohrungsmass - Diametre de l'alcavage  
Diametro del orificio - Diametro del foro

\* In questa tabella le misure sono in "mm "

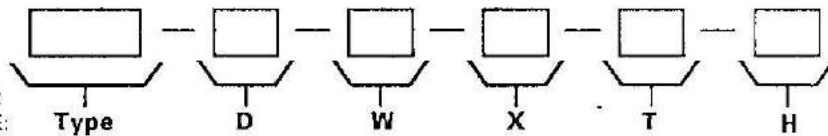
\* In this table all dimension are in "mm "



# Type 4B2



PLEASE SPECIFY:-  
 BITTE GENAU ANGEBEN:  
 SPÉCIFIEZ SVP:  
 POR FAVOR ESPECIFIQUE:  
 PER FAVORE SPECIFICATE:

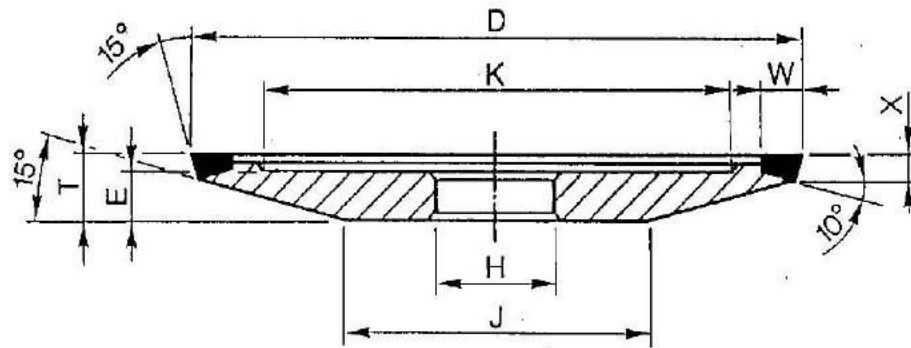


D	W	X	T	E	J				H
100	4-5-6	1.5-2-3	8-10	T-1	40				
125	4-5-6	1.5-2-3-4	10-11	T-1	55				
150	4-5-6-8	1.8-2-3-4	10-12	T-1	65				

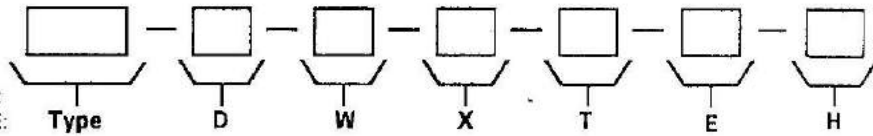
Bore Diameter - Bohrungsdiamess - Diamètre de l'alésage  
 Diametro del orificio - Diametro del foro

\* In questa tabella le misure sono in "mm "  
 \* In this table all dimension are in "mm "

# Type 4B9



PLEASE SPECIFY:  
 BITTE GENAU ANGEBEN:  
 SPÉCIFIEZ SVP:  
 POR FAVOR ESPECIFIQUE:  
 PER FAVORE SPECIFICATE:

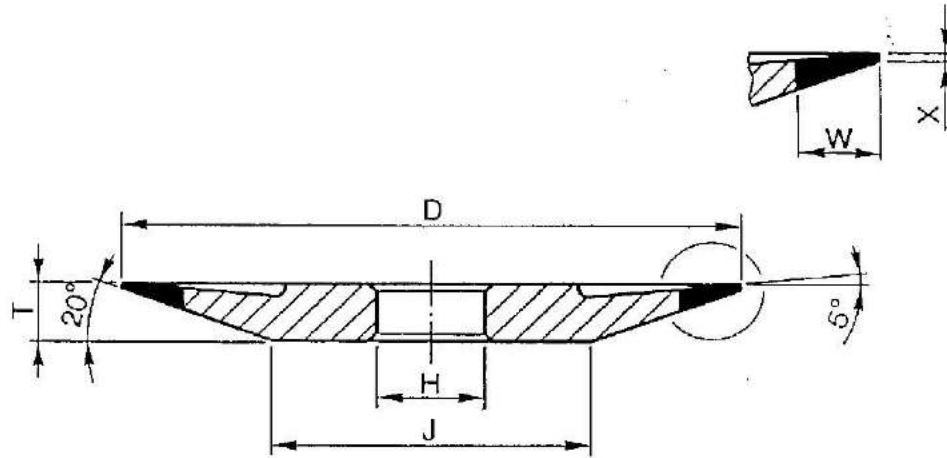


D	W	X	T	E					H
100	2-3	1.5-1.8-3.3	8.3-11-14	6-8-10-12					
125	2-3	1.5-1.8-3.3	8.3-11-14	6-8-10-12					
150	2-3	1.5-1.8-3.3	8.3-11-14	6-8-10-12					

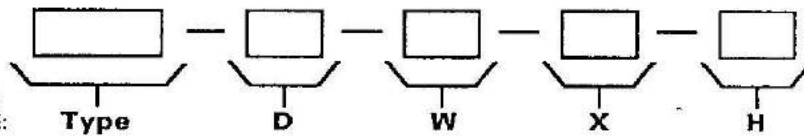
Bore Diameter - Bohrungsdiameter - Diamètre de l'alésage  
 Diametro del orificio - Diámetro del foro

\* In questa tabella le misure sono in "mm"  
 \* In this table all dimension are in "mm"

# Type 4BT9



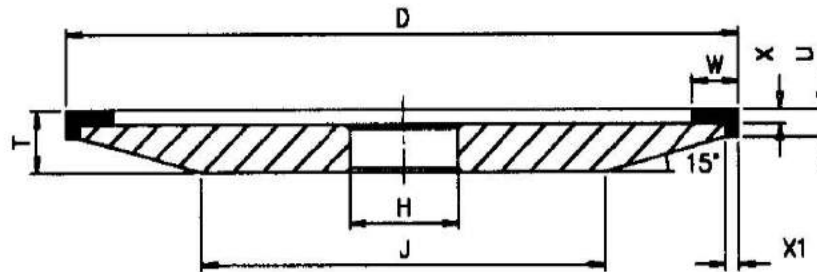
PLEASE SPECIFY:  
 BITTE GENAU ANGEBEN:  
 SPÉCIFIEZ SVP:  
 POR FAVOR ESPECIFIQUE:  
 PER FAVORE SPECIFICATE:



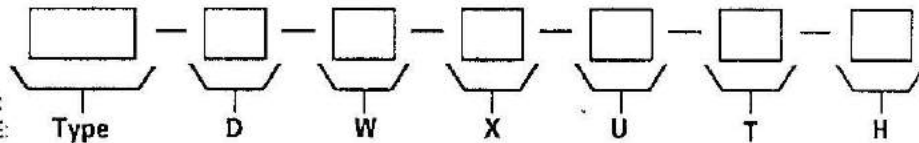
D	W	X	T	J					H
75	6-10	0.5-1-1.5-2	8	36					Bore Diameter - Bohrungsdiam. - Diamètre de l'alésage Diámetro del orificio - Diámetro del foro
100	6-10	0.5-1-1.5-2	10	50					
125	6-10	0.5-1-1.5-2	12	65					
150	10	0.5-1-1.5-2	14	78					

\* In questa tabella le misure sono in "mm "  
 \* In this table all dimension are in "mm "

## Type 4C9



PLEASE SPECIFY:  
 BITTE GENAU ANGEBEN:  
 SPÉCIFIEZ SVP:  
 POR FAVOR ESPECIFIQUE:  
 PER FAVORE SPECIFICATE:



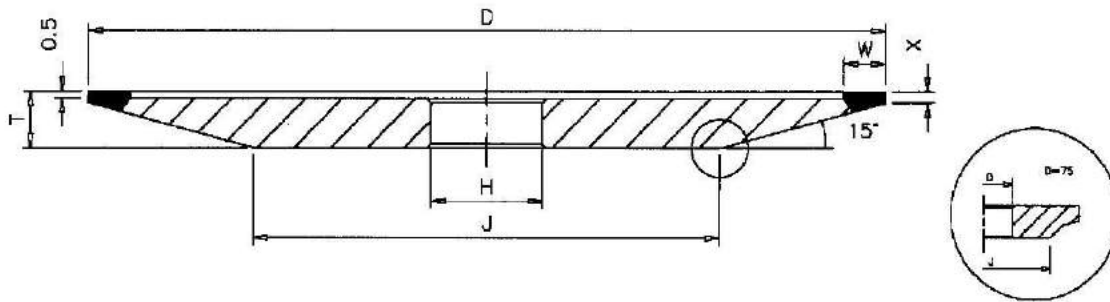
D	W	X	U	X <sub>1</sub>	T				H
100	5-6	2-3	X+1	1	6+X				
125	5-6	2-3	X+1	1	7+X				
150	5-6	2-3-4	X+1	1	9+X				
175	5-6	2-3-4	X+1	1	10+X				
200	5-6	2-3-4	X+1	1	10+X				

Bore Diameter - Bohrungsdiam. - Diamètre de l'alésage  
 Diametro del orificio - Diámetro del foro

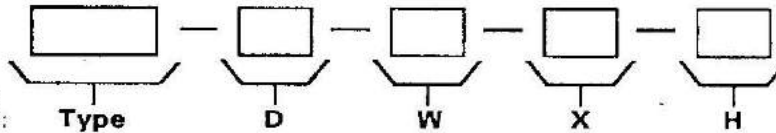
\* In questa tabella le misure sono in "mm"  
 \* In this table all dimension are in "mm"



# Type 4ET9



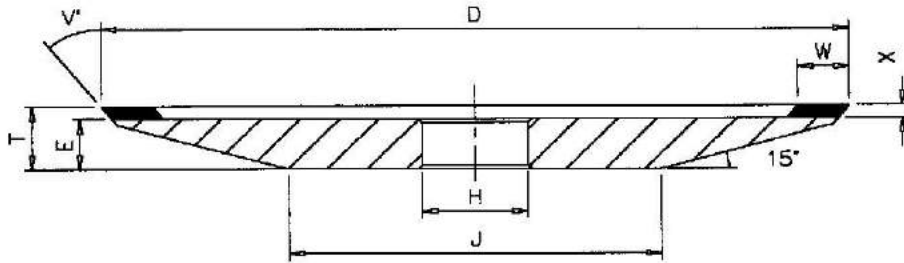
**PLEASE SPECIFY:**  
 BITTE GENAU ANGEBEN:  
 SPÉCIFIEZ SVP:  
 POR FAVOR ESPECIFIQUE:  
 PER FAVORE SPECIFICATE:



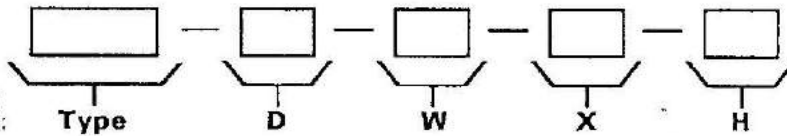
D	W	X	T	J					H
75	6-10	1-2	6	30					Bore Diameter - Bohrungsdiamess - Diamètre de l'alésage Diámetro del orificio - Diámetro del foro
100	6-10	1-2	6	43					
125	6-10	1-2-3	8	56					
150	10	1-2-3	10	60					

\* In questa tabella le misure sono in "mm "  
 \* In this table all dimension are in "mm "

## Type 4V2



PLEASE SPECIFY:  
 BITTE GENAU ANGEBEN:  
 SPÉCIFIEZ SVP:  
 POR FAVOR ESPECIFIQUE:  
 PER FAVORE SPECIFICATE:

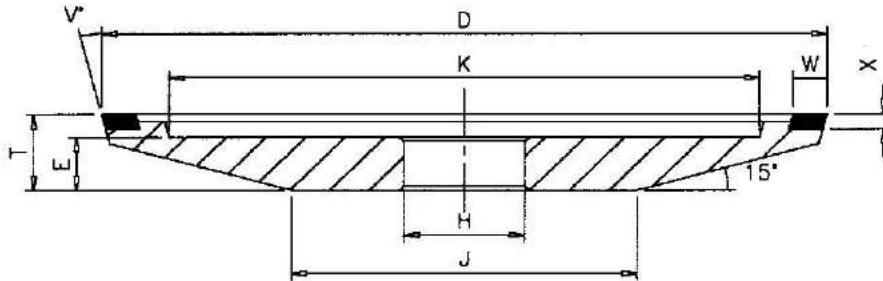


D	W	X	T	E	J				H
75	4-5	2	9	6	48				
100	4-5-6	2	10	6	63				
125	4-5-6	2-3	11	7	80				
150	4-5-6	2-3	12	9	90				

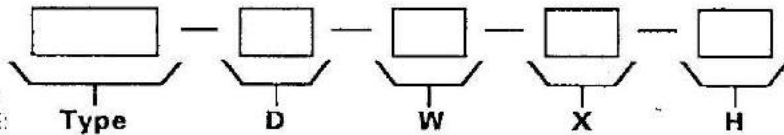
Bore Diameter - Bohrungsdiamess - Diamètre de l'alésage  
 Diametro del orificio - Diámetro del foro

\* In questa tabella le misure sono in "mm "  
 \* In this table all dimension are in "mm "

## Type 4V9



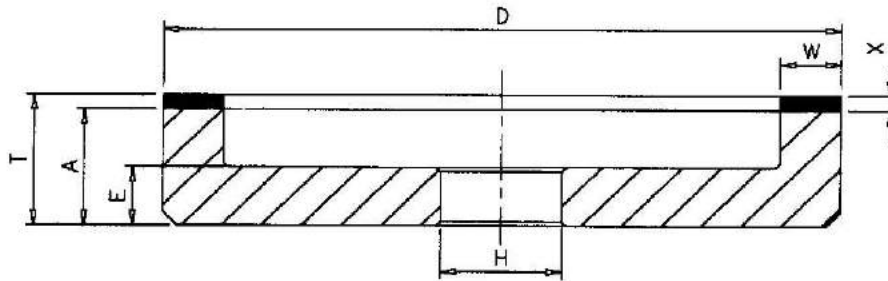
PLEASE SPECIFY:  
 BITTE GENAU ANGEBEN:  
 SPÉCIFIEZ SVP:  
 POR FAVOR ESPECIFIQUE:  
 PER FAVORE SPECIFICATE:



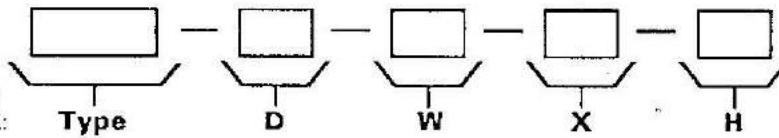
D	W	X	T	E	J	K	V°	H
75	2-3-4-5	1-1.5-1.8-2-3	8	6	47	62	15	Bore Diameter - Bohrungsdia. - Diamètre de l'alésage Diámetro del orificio - Diámetro del foro
100	2-3-4-5	1-1.5-1.8-2-3	8	6	62	85	15	
125	2-3-4-5	1-1.5-1.8-2-3	10	7	80	108	15	
150	2-3-4-5	1-1.5-1.8-2-3	11	8	100	135	15	

\* In questa tabella le misure sono in "mm "  
 \* In this table all dimension are in "mm "

## Type 6A2



**PLEASE SPECIFY:**  
**BITTE GENAU ANGEBEN:**  
**SPÉCIFIEZ SVP:**  
**POR FAVOR ESPECIFIQUE:**  
**PER FAVORE SPECIFICATE:**



D	W	X	T	A	E				H
50-75	5-6-8-10	2-3	A+X	20	10				
100	5-6-8-10-12-15	2-3-4-6	A+X	23	10				
125	5-6-8-10-12-15-20-25	2-3-4-6	A+X	23	10				
150	6-8-10-12-15-20-25	2-3-4-6-8	A+X	23	10				
175	6-8-10-12-15-20-25	2-3-4-6-8	A+X	25	12				
200	6-8-10-15-20-25	2-3-4-6-8	A+X	25	13				
250	6-8-10-12-15	3-4-6-8	A+X	30	15				
300	8-10-12	3-4-6-8-10	A+X	35	20				

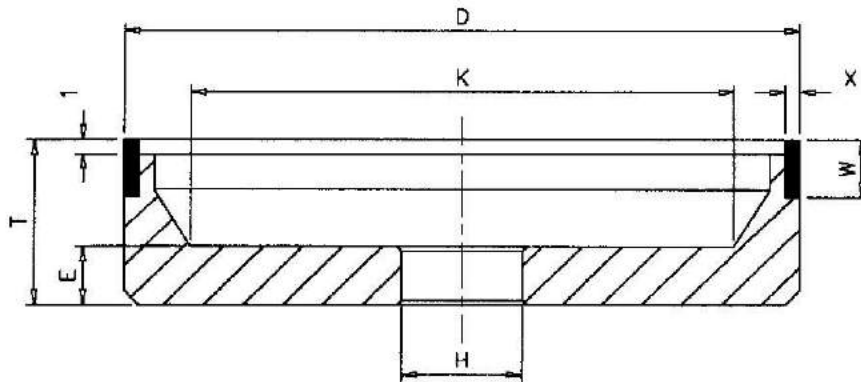
Bore Diameter - Bohrungsdiam. - Diamètre de l'alésage  
 Diametro del orificio - Diámetro del foro

\* In questa tabella le misure sono in "mm "

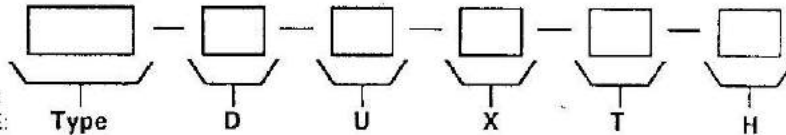
\* In this table all dimension are in "mm "



## Type 6A9



PLEASE SPECIFY;  
 BITTE GENAU ANGEBEN;  
 SPÉCIFIEZ SVP;  
 POR FAVOR ESPECIFIQUE;  
 PER FAVORE SPECIFICATE:

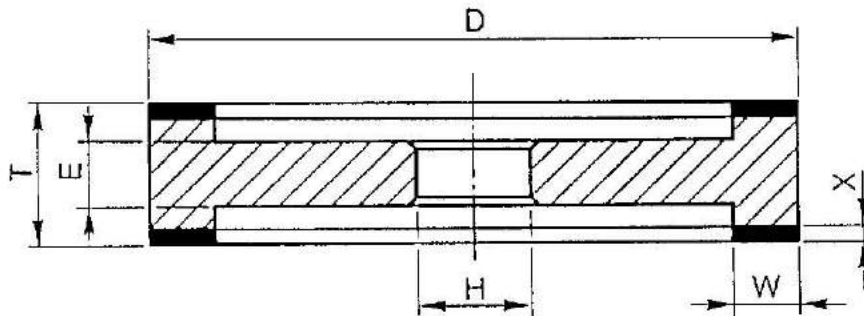


D	W	X	T	E	K				H
75	6-8-10	2-3-4	25	10	~60				
100	6-8-10	2-3-4	30	10	~75				
125	6-8-10	3-4	30	10	~100				
150	6-8-10	3-4	35	11	~130				
175	8-10-12	3-4	35	12	~140				
200-250	10-12	3-4	35	13	170÷220				
300	10-12	3-4-5	30÷40	15	~260				
350	10-12	3-4-5	30÷40	20	~310				

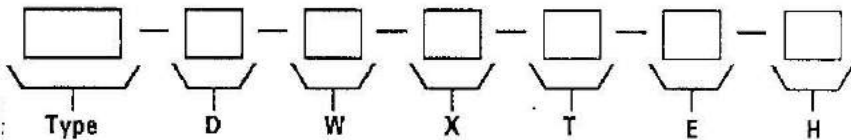
Bore Diameter - Bohrungsdiamess - Diamètre de l'alésage  
 Diametro del orificio - Diámetro del foro

\* In questa tabella le misure sono in "mm "  
 \* In this table all dimension are in "mm "

# Type 9A3



PLEASE SPECIFY:  
 BITTE GENAU ANGEBEN:  
 SPÉCIFIEZ SVP:  
 POR FAVOR ESPECIFIQUE:  
 PER FAVORE SPECIFICATE:

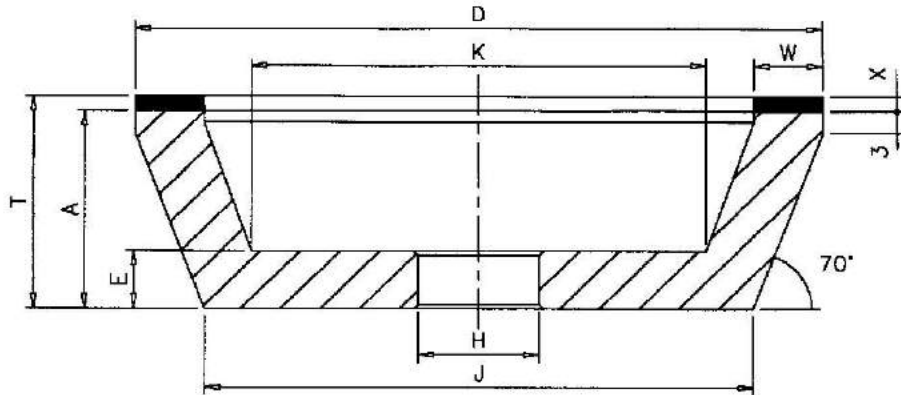


D	W	X	T	E					H
75	4-5-6	2-3	20	9					
100	5-6-8-10	2-3-4	22	10					
125	5-6-8-10	2-3-4	25	10					
150	5-6-8-10	2-3-4	25÷35	14					
175	5-6-8-10-12	2-3-4	25÷35	14					
200	6-6-10-12	2-3-4	30÷35	14					

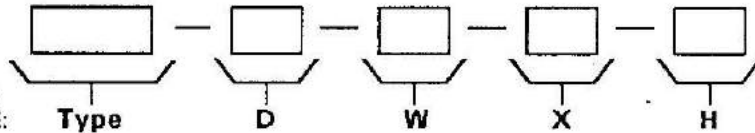
Bore Diameter - Bohrungsdiam. - Diamètre de l'alésage  
 Diametro del orificio - Diámetro del foro

\* In questa tabella le misure sono in "mm"  
 \* In this table all dimension are in "mm"

## Type 11A2



PLEASE SPECIFY:  
 BITTE GENAU ANGEBEN:  
 SPÉCIFIEZ SVP:  
 POR FAVOR ESPECIFIQUE:  
 PER FAVORE SPECIFICATE:



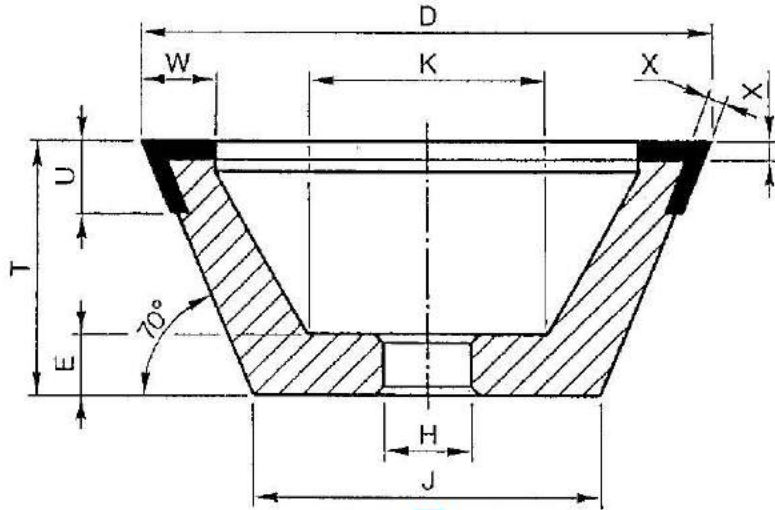
D	W	X	T	A	E	J	K	H
75	3-4-5-6-8-10	2-3-4	A+X	20	10	63	48	
100	3-4-5-6-8-10-12-15	2-3-4-6	A+X	23	10	86	68	
125	3-4-5-6-8-10-12-15-20	2-3-4-5-6	A+X	23	10	111	93	
150	4-5-6-8-10-12-15-20	2-3-4-5-6	A+X	23	10	136	118	
175	4-5-6-8-10-12-15-20	2-3-4-6	A+X	23	10	161	143	
200	5-6-8-10-12-15-20	2-3-4-6	A+X	23	10	186	168	

Bore Diameter - Bohrungsdiameter - Diamètre de l'alésage  
 Diameter del orificio - Diámetro del foro

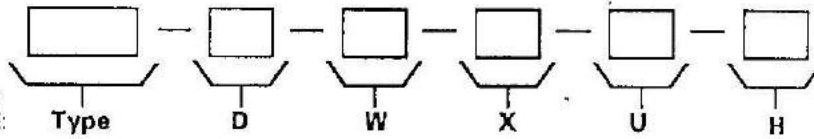
\* In questa tabella le misure sono in "mm "  
 \* In this table all dimension are in "mm "



# Type 11BB9



PLEASE SPECIFY:  
 BITTE GENAU ANGEBEN:  
 SPÉCIFIEZ SVP:  
 POR FAVOR ESPECIFIQUE:  
 PER FAVORE SPECIFICATE:



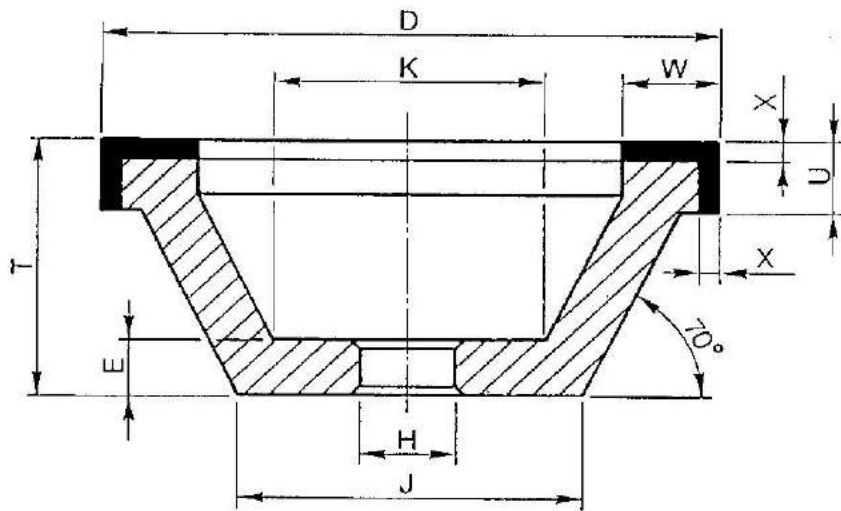
D	W	X	U	T	E	J	K	H
75	5-8-10	2-3	6-10	30	10	53	~38	
100	8-10-12	2-3	6-10	35	10	75	~51	
125	8-10-12	2-3	6-10	40	10	96	~69	
150	8-10-12	2-3	6-10	50	10	114	~87	

Bore Diameter - Bohrungsdiameter - Diamètre de l'alésage  
 Diameter del orificio - Diámetro del foro

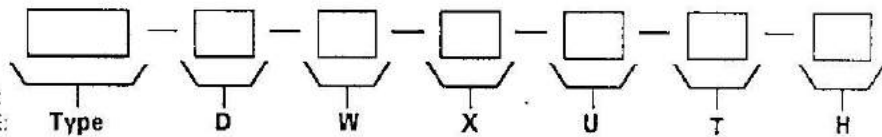
\* In questa tabella le misure sono in "mm"  
 \* In this table all dimension are in "mm"



# Type 11C9



PLEASE SPECIFY:  
 BITTE GENAU ANGEBEN:  
 SPÉCIFIEZ SVP:  
 POR FAVOR ESPECIFIQUE:  
 PER FAVORE SPECIFICATE:

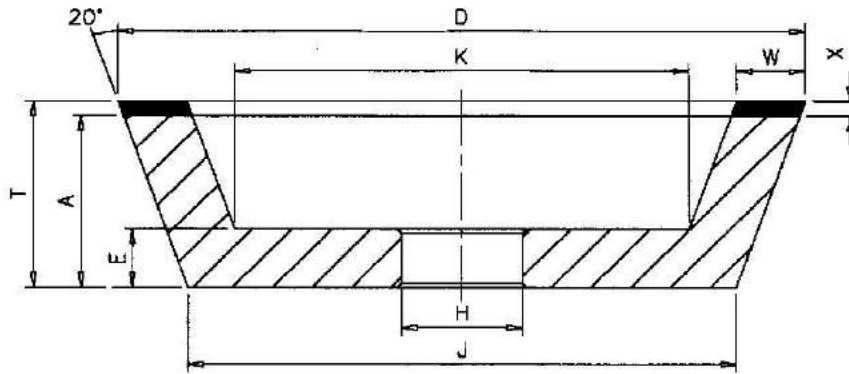


D	W	X	U	T	E	J	K		H
75	5-6-8-10	2-3	3-4-6-8-10	22	10	41	31		
100	6-8-10	2-3	3-4-6-8-10	25	10	60	~52		
125	6-8-10-12	2-3	3-4-6-8-10	25	10	83	~77		
150	10-12-15	2-3	3-4-6-8-10	25	13	100	~90		

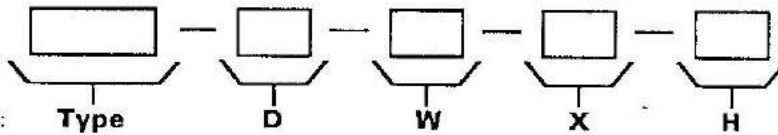
Bore Diameter - Bohrungsdurchmesser - Diamètre de l'aérage  
 Diámetro del orificio - Diámetro del foro

\* In questa tabella le misure sono in "mm "  
 \* In this table all dimension are in "mm "

# Type 11V2 20°



**PLEASE SPECIFY:**  
 BITTE GENAU ANGEBEN:  
 SPÉCIFIEZ SVP:  
 POR FAVOR ESPECIFIQUE:  
 PER FAVORE SPECIFICATE:

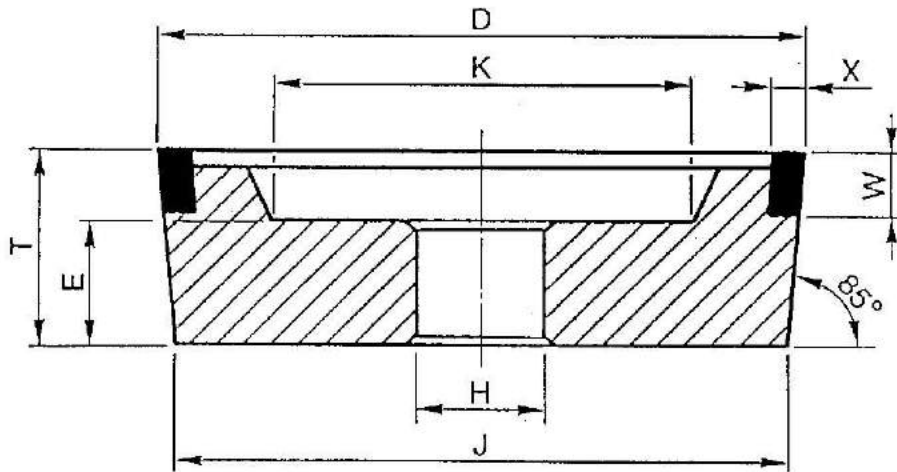


D	W	X	T	A	E				H
75	3-4-5	2-3-4	A+X	20	10				
100	5-6-8-10	2-3-4	A+X	23	10				
125	5-6-8-10-12	2-3-4	A+X	26	10				
150	5-6-8-10-12	2-3-4	A+X	35	10				

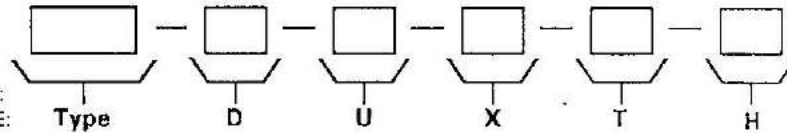
Bore Diameter - Bohrungsdiam. - Diamètre de l'alésage  
 Diametro del orificio - Diámetro del foro

\* In questa tabella le misure sono in "mm"  
 \* In this table all dimension are in "mm"

# Type 11V9 5°



PLEASE SPECIFY:  
 BITTE GENAU ANGEBEN:  
 SPÉCIFIEZ SVP:  
 POR FAVOR ESPECIFIQUE:  
 PER FAVORE SPECIFICATE:

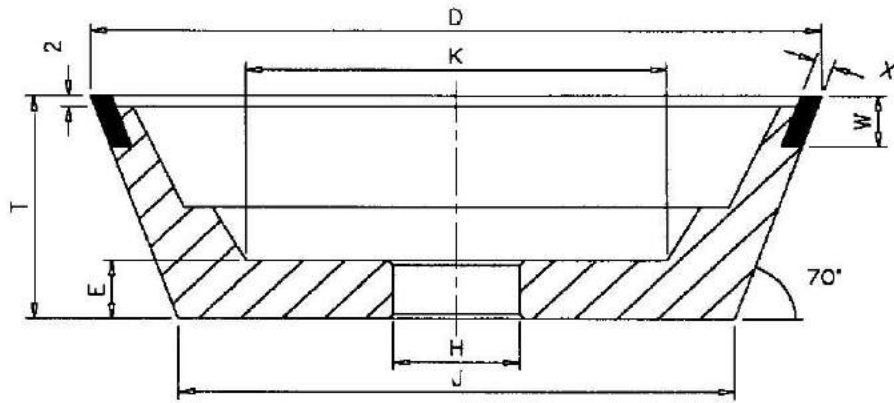


D	U	X	T	E	J	K			H
100	6	3	20	9	87	60			
125	6-8	3	26	11	115	90			

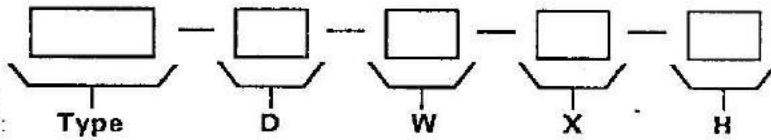
Bore Diameter - Bohrungsdiam. - Diamètre de l'alésage  
 Diametro del orificio - Diámetro del foro

\* In questa tabella le misure sono in "mm"  
 \* In this table all dimension are in "mm"

# Type 11V9



PLEASE SPECIFY:  
 BITTE GENAU ANGEBEN:  
 SPÉCIFIEZ SVP:  
 POR FAVOR ESPECIFIQUE:  
 PER FAVORE SPECIFICATE:



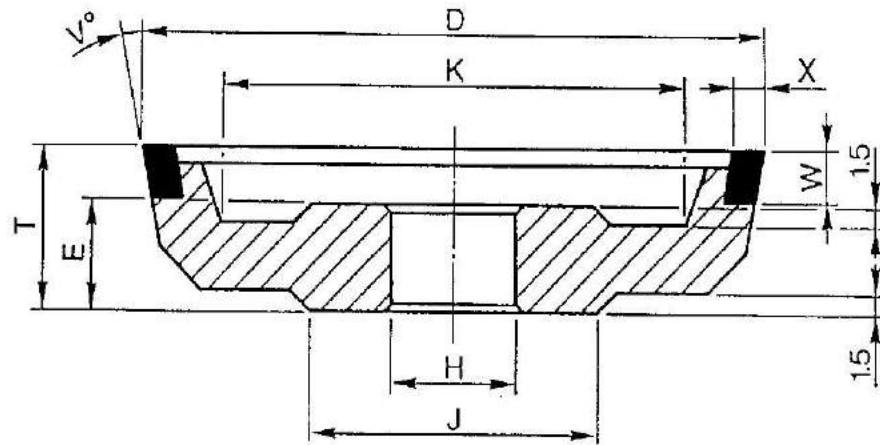
D	W	X	T	E	J	K			H
50	6	1.5-2-3	25	10	32	27			
75	10	1.5-2-3	30	10	53	40			
100	10	1.5-2-3	35	10	75	55			
125	10	2-3	35	10	100	79			
150	10	2-3	40	10	121	97			

Bore Diameter - Bohrungsdiam. - Diamètre de l'alésage  
 Diametro del orificio - Diámetro del foro

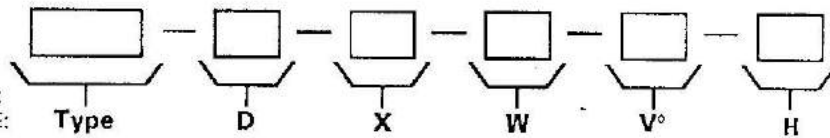
\* In questa tabella le misure sono in "mm "  
 \* In this table all dimension are in "mm "



# Type 11V9A



**PLEASE SPECIFY:**  
 BITTE GENAU ANGEBEN:  
 SPÉCIFIEZ SVP:  
 POR FAVOR ESPECIFIQUE:  
 PER FAVORE SPECIFICATE:

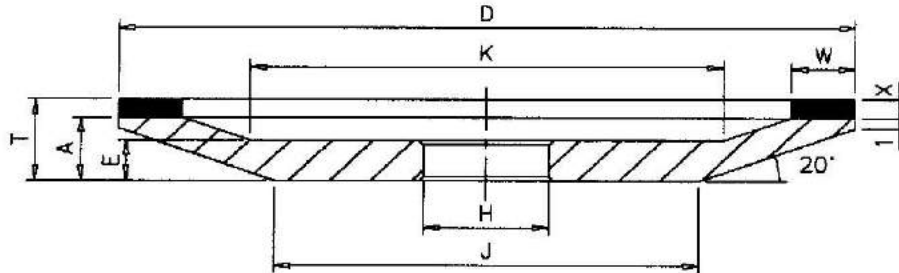


D	W	X	V°	T	E				H
75	6-10	1.5-2-3	5-10	30	12				
100	6-10	1.5-2-3	5-10	35	12				
125	6-10	1.5-2-3	5-10	35	12				
150	6-10	1.5-2-3	5-10	40	12				

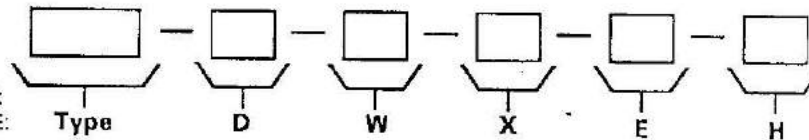
Bore Diameter - Bohrungsdiam. - Diamètre de l'alésage  
 Diámetro del orificio - Diámetro del foro

\* In questa tabella le misure sono in "mm"  
 \* In this table all dimension are in "mm"

# Type 12A2 20°



PLEASE SPECIFY:  
 BITTE GENAU ANGEBEN:  
 SPÉCIFIEZ SVP:  
 POR FAVOR ESPECIFIQUE:  
 PER FAVORE SPECIFICATE:

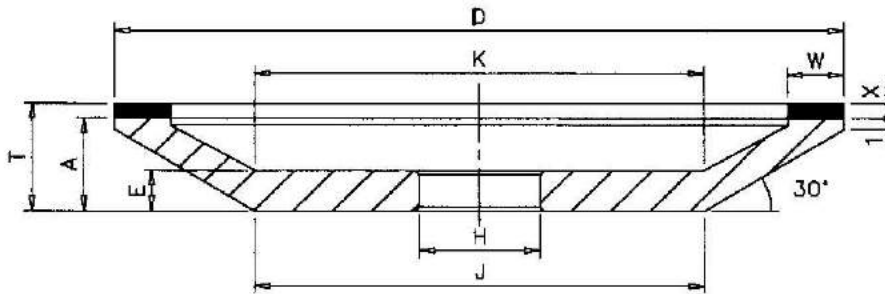


D	W	X	T	A	E	J	K	H
75	3-4-5-6	2-3-4	A+X	8	5	37	~57	
100	2-3-4-5-6	2-3-4	A+X	10	6	50	~78	
125	4-5-6-8	2-3-4	A+X	14	8	55	~85	
150	4-5-6-8-10	2-3-4	A+X	16	9	67	~93	
175	4-5-6-8-10	2-3-4	A+X	18	10	81	~98	
200	5-6-8-10	2-3-4	A+X	20	11	95	106	

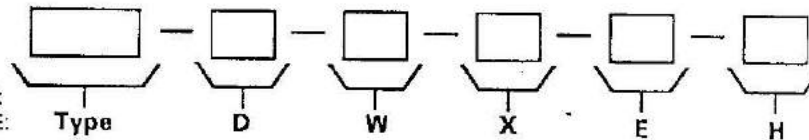
Bore Diameter - Bohrungsdiam. - Diamètre de l'alésage  
 Diameter of the orifice - Diametro del foro

\* In questa tabella le misure sono in "mm "  
 \* In this table all dimension are in "mm "

## Type 12A2 30°



PLEASE SPECIFY:  
 BITTE GENAU ANGEBEN:  
 SPÉCIFIEZ SVP:  
 POR FAVOR ESPECIFIQUE:  
 PER FAVORE SPECIFICATE:



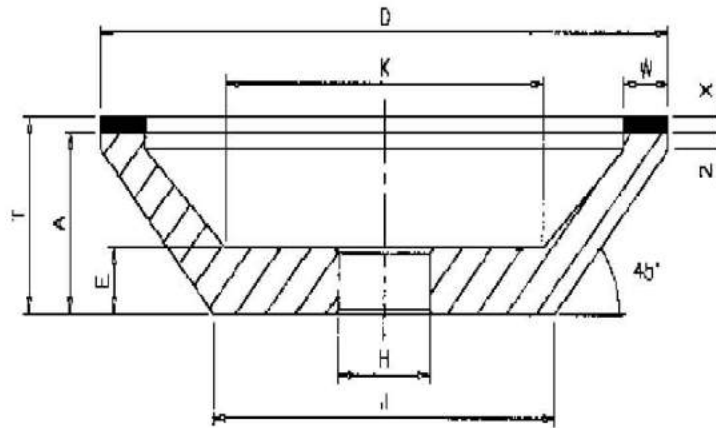
D	W	X	T	A	E	J	K	H
75	2-3-4-5-6-8-10	2-3-4	A+X	12	7	40	36	
100	2-3-4-5-6-8-10-12	2-3-4	A+X	14	8	58	55	
125	2-3-4-5-6-8-10-12	2-3-4-5	A+X	18	8	68	64	
150	5-6-8-10-12-15	2-3-4-5	A+X	20	9	88	81	
175	5-6-8-10-12-15	2-3-4-5	A+X	22	10	108	99	
200	6-8-10-12-15	2-3-4-5	A+X	24	11	128	118	

Bore Diameter - Bohrungsdiam. - Diamètre de l'alésage  
 Diameter of the orifice - Diámetro del foro

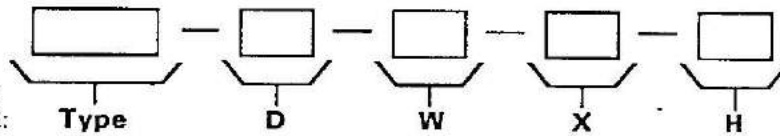
\* In questa tabella le misure sono in "mm "  
 \* In this table all dimension are in "mm "



## Type 12A2 45°



PLEASE SPECIFY:  
 BITTE GENAU ANGEBEN:  
 SPÉCIFIEZ SVP:  
 POR FAVOR ESPECIFIQUE:  
 PER FAVORE SPECIFICATE:



D	W	X	T	A	E	J	K	H
75	2-3-4-5-6-8-10	2-3-4	A+X	20	9	42	35	
100	2-3-4-5-6-8-10-12	2-3-4-5	A+X	23	10	57	50	
125	2-3-4-5-6-8-10-12	2-3-4-5-6	A+X	23	10	82	75	
150	5-6-8-10-12-15	2-3-4-5-6	A+X	23	10	107	100	
175	5-6-8-10-12-15	2-3-4-5-6	A+X	25	12	132	125	
200	6-8-10-12-15-20	3-4-5-6	A+X	25	12	157	146	
250	6-8-10	3-4-6	A+X	30	15	190	175	
300	8-10	3-4-6	A+X	30	20	240	220	

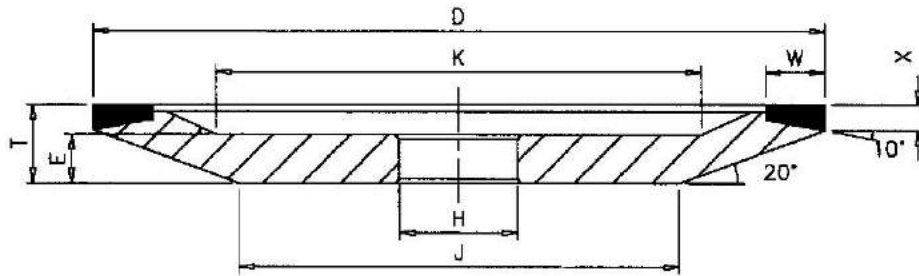
Bore Diameter - Bohrungsdiameter - Diamètre de l'alésage  
 Diametro del orificio - Diámetro del foro

\* In questa tabella le misure sono in "mm "

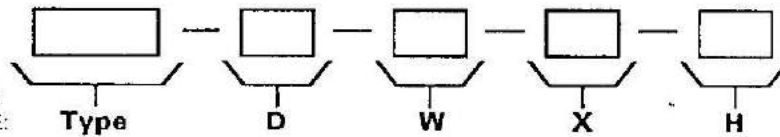
\* In this table all dimension are in "mm "



# Type 12B2 20°



PLEASE SPECIFY:  
 BITTE GENAU ANGEBEN:  
 SPÉCIFIEZ SVP:  
 POR FAVOR ESPECIFIQUE:  
 PER FAVORE SPECIFICATE:

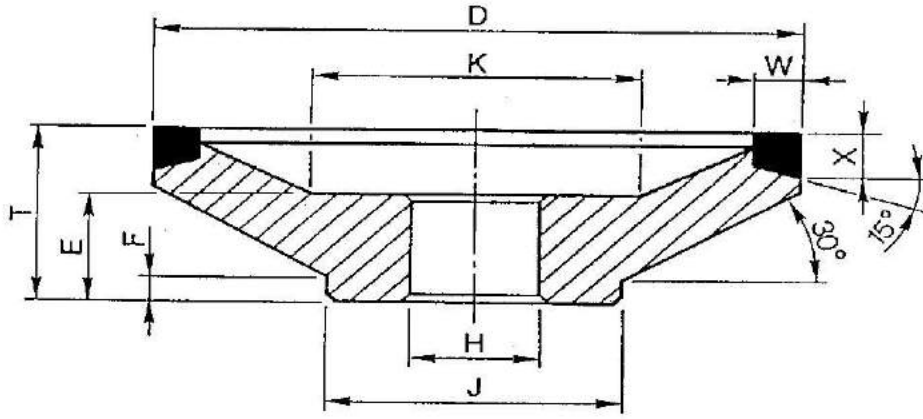


D	W	X	T	E	J				H
100	3-4-5-6-8	2-3-4	13	6	55				
125	3-4-5-6-8	2-3-4	17	8	80				
150	4-5-6-8	2-3-4	19	9	105				

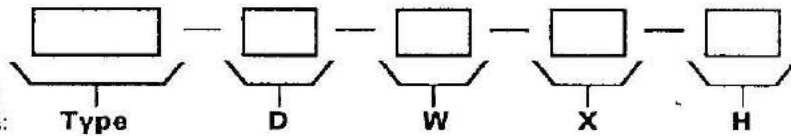
Bore Diameter - Bohrungsdiam. - Diamètre de l'alésage  
 Diametro del orificio - Diámetro del foro

\* In questa tabella le misure sono in "mm"  
 \* In this table all dimension are in "mm"

# Type 12B2 30°



PLEASE SPECIFY:  
 BITTE GENAU ANGEBEN:  
 SPÉCIFIEZ SVP:  
 POR FAVOR ESPECIFIQUE:  
 PER FAVORE SPECIFICATE:

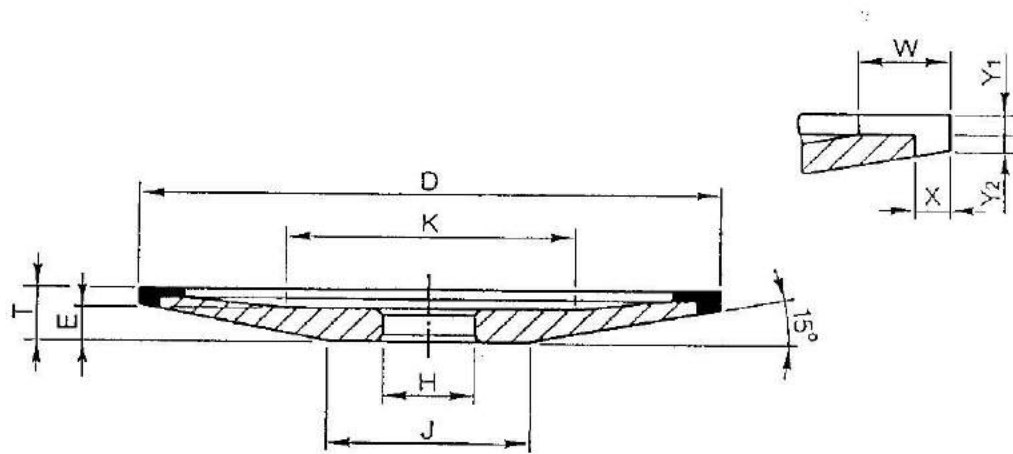


D	W	X	T	E	F	J	K	H
100	2-3-4-5	2-3	20	14	3	~35	35	
125	2-3-4-5	2-3-4	24	14	4	~47	45	

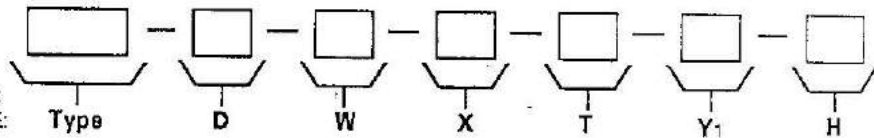
Bore Diameter - Bohrungsdiam. - Diamètre de l'alésage  
 Diametro del orificio - Diámetro del foro

\* In questa tabella le misure sono in "mm"  
 \* In this table all dimension are in "mm"

# Type 12C9 15°



PLEASE SPECIFY:  
 BITTE GENAU ANGEBEN:  
 SPÉCIFIEZ SVP:  
 POR FAVOR ESPECIFIQUE:  
 PER FAVORE SPECIFICATE:

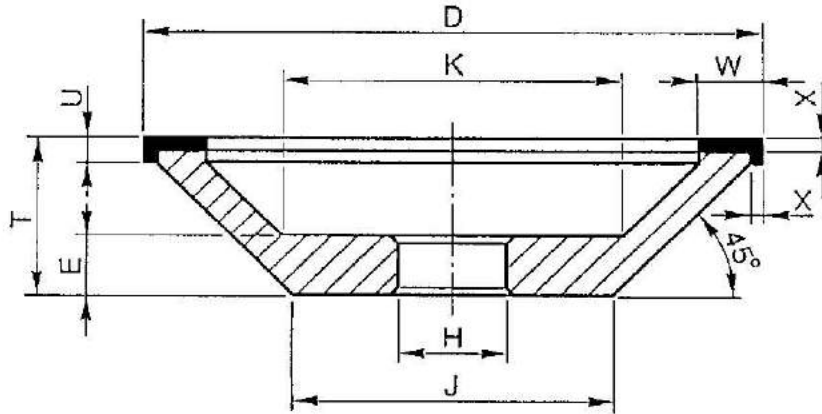


D	W	X	T	Y <sub>1</sub>	Y <sub>2</sub>	E			H
75	3-4-5-6	2.5-3	8	1	1	6			
100	4-5-6-8	2.5-3	12	1-2	1	8			
125	4-5-6-8-10	2.5-3	15	1-2	1	10			
150	4-5-6-8-10-12	2.5-3	18	2-3	2	11			

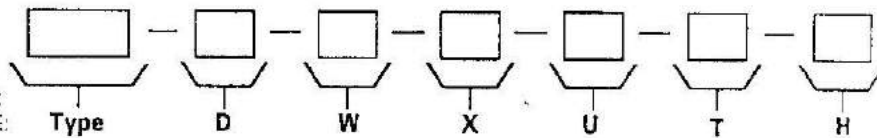
Bore Diameter - Bohrungsdiamess - Diamètre de l'alésage  
 Diametro del orificio - Diámetro del foro

\* In questa tabella le misure sono in "mm "  
 \* In this table all dimension are in "mm "

# Type 12C9 45°



PLEASE SPECIFY:  
 BITTE GENAU ANGEBEN:  
 SPÉCIFIEZ SVP:  
 POR FAVOR ESPECIFIQUE:  
 PER FAVORE SPECIFICATE:



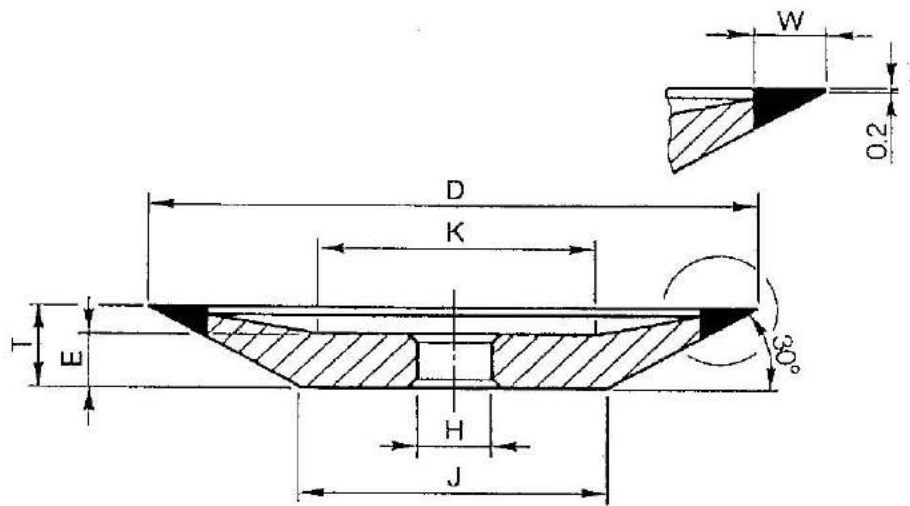
D	W	X	U	T	E	J	K		H
75	5-6-8	2-3	4-6	22	10	31	41		
100	5-6-8-10	2-3	5-8-10	25	10	50	60		
125	6-8-10-12	2-3	6-10	25	10	75	83		
150	6-8-10-12-15	2-3	6-8-10	25	12	100	104		

Bore Diameter - Bohrungsdia. - Diamètre de l'alésage  
 Diametro del orificio - Diámetro del foro

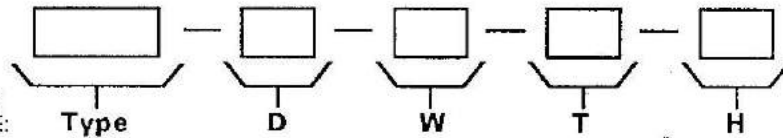
\* In questa tabella le misure sono in "mm"  
 \* In this table all dimension are in "mm"



# Type 12K6



PLEASE SPECIFY:  
 BITTE GENAU ANGEBEN:  
 SPÉCIFIEZ SVP:  
 POR FAVOR ESPECIFIQUE:  
 PER FAVORE SPECIFICATE:

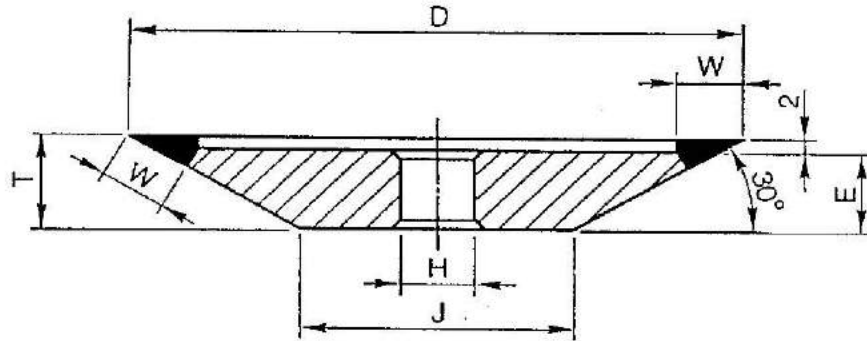


D	W	T	E						H
75	6	15	9						
100	6-10	15	9						
125	6-10	20	11						
150	6-10	25	11						

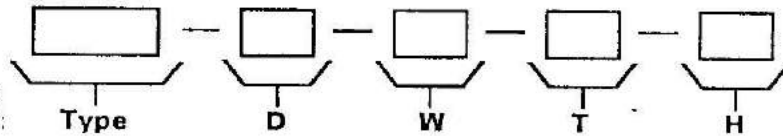
Bore Diameter - Bohrungsdiam. - Diamètre de l'alésage  
 Diametro del orificio - Diámetro del foro

\* In questa tabella le misure sono in "mm "  
 \* In this table all dimension are in "mm "

## Type 12MM2



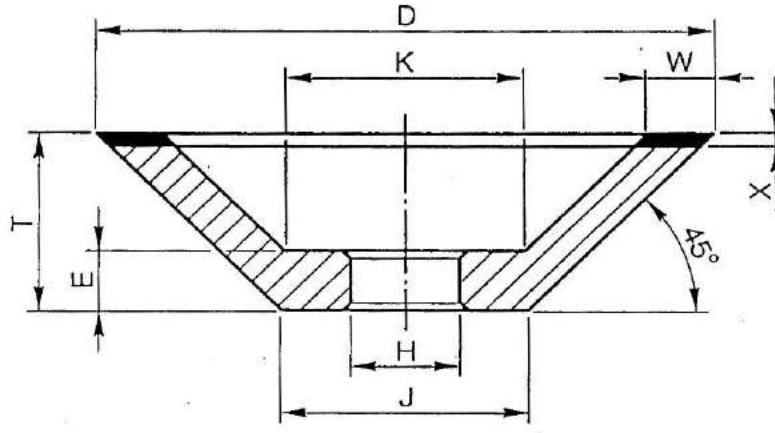
PLEASE SPECIFY:  
 BITTE GENAU ANGEBEN:  
 SPÉCIFIEZ SVP:  
 POR FAVOR ESPECIFIQUE:  
 PER FAVORE SPECIFICATE:



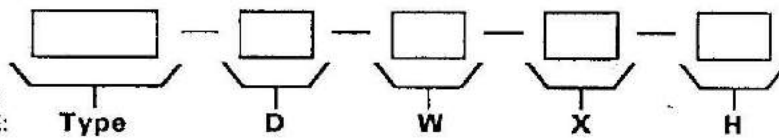
D	W	T	E	J					H
75	4-5-6	15	T-2	~40					Bore Diameter - Bohrungsdia. - Diamètre de l'alésage Diámetro del orificio - Diámetro del foro
100	6-8-10	15	T-2	~50					
125	6-10	20	T-2	~60					
150	6-10	25	T-2	~75					

\* In questa tabella le misure sono in "mm "  
 \* In this table all dimension are in "mm "

# Type 12V2 45°



PLEASE SPECIFY:  
 BITTE GENAU ANGEBEN:  
 SPÉCIFIEZ SVP:  
 POR FAVOR ESPECIFIQUE:  
 PER FAVORE SPECIFICATE:

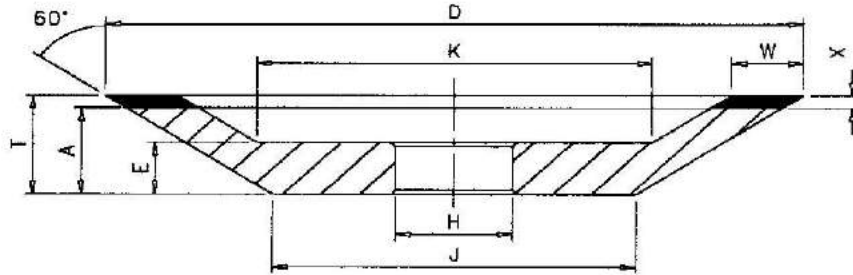


D	W	X	T	E	J	K			H
75	4-5-6	2-3-4	23	10	~31	~21			
100	5-6-8-10	2-3-4	25	10	~56	~38			
125	6-8-10-12	2-3-4	25	10	~81	~56			
150	6-10-15	2-3-4	25	12	106	~81			

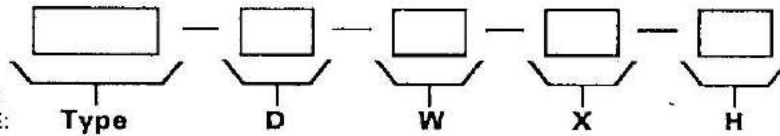
Bore Diameter - Bohrungsdia. - Diamètre de l'alésage  
 Diametro del orificio - Diámetro del foro

\* In questa tabella le misure sono in "mm "  
 \* In this table all dimension are in "mm "

# Type 12V2 60°



PLEASE SPECIFY:  
 BITTE GENAU ANGEBEN:  
 SPÉCIFIEZ SVP:  
 POR FAVOR ESPECIFIQUE:  
 PER FAVORE SPECIFICATE:



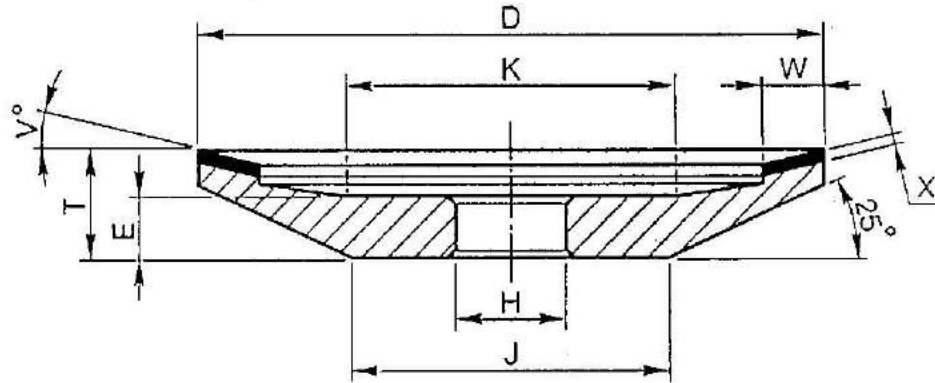
D	W	X	T	A	E	J	K	H
75	4-5-6	2-3	13		6	~30	~34	
100	4-5-6-8	2-3	15		7	~50	~56	
125	4-5-6-8-10	2-3	19		8	~60	~74	
150	4-5-6-8-10	2-3	20		10	~80	110	

Bore Diameter - Bohrungsdiam. - Diamètre de l'alésage  
 Diametro del orificio - Diámetro del foro

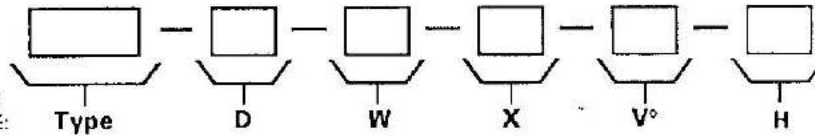
\* In questa tabella le misure sono in "mm "  
 \* In this table all dimension are in "mm "



# Type 12V4



PLEASE SPECIFY:  
 BITTE GENAU ANGEBEN:  
 SPÉCIFIEZ SVP:  
 POR FAVOR ESPECIFIQUE:  
 PER FAVORE SPECIFICATE:

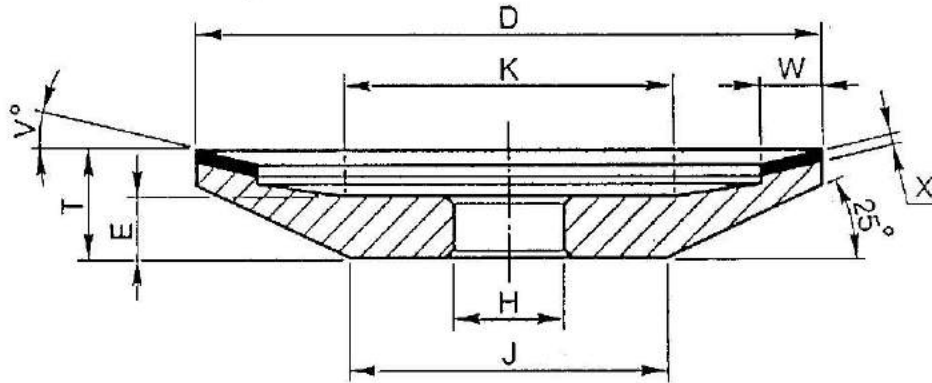


D	W	X	V°	T	E	J	K	H
75	4-6	2-3	5-10	14	8	~31	~35	
100	4-6-10	2-3	5-10	18	10	~42	~50	
125	4-6-10	2-3	5-10	20	10	~62	~70	
150	4-6-10	2-3	5-10	20	10	~86	~80	

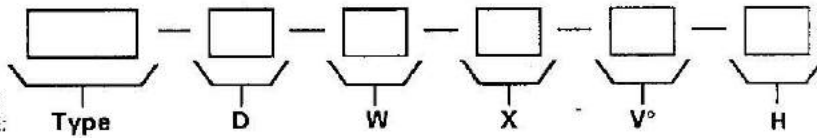
Bore Diameter - Bohrungsdiameter - Diamètre de l'alésage  
 Diametro del orificio - Diámetro del foro

\* In questa tabella le misure sono in "mm"  
 \* In this table all dimension are in "mm"

# Type 12V4



PLEASE SPECIFY:  
 BITTE GENAU ANGEBEN:  
 SPÉCIFIEZ SVP:  
 POR FAVOR ESPECIFIQUE:  
 PER FAVORE SPECIFICATE:

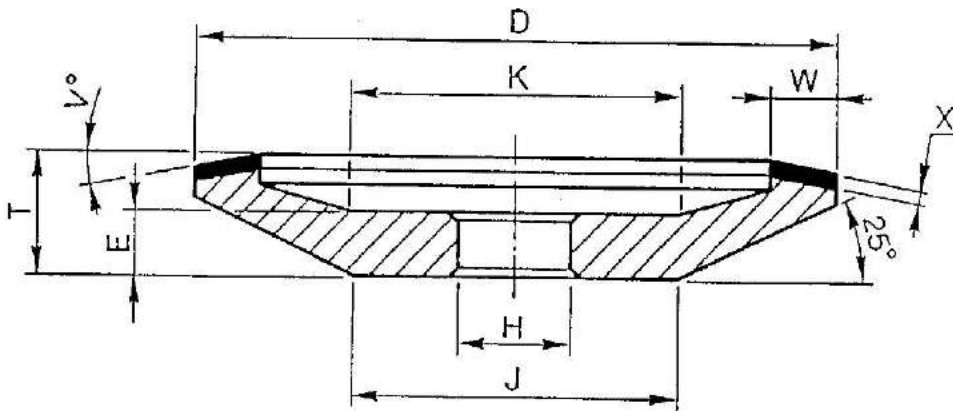


D	W	X	V°	T	E	J	K	H
75	4-6	2-3	5-10	14	8	~31	~35	
100	4-6-10	2-3	5-10	18	10	~42	~50	
125	4-6-10	2-3	5-10	20	10	~62	~70	
150	4-6-10	2-3	5-10	20	10	~86	~80	

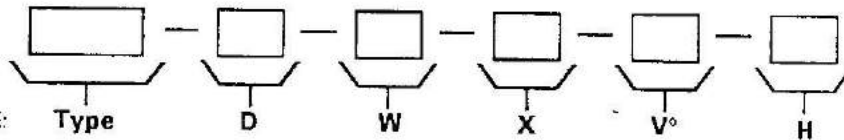
Bore Diameter - Bohrungsdiam. - Diamètre de l'alésage  
 Diametro del orificio - Diámetro del foro

\* In questa tabella le misure sono in "mm"  
 \* In this table all dimension are in "mm "

## Type 12V5



PLEASE SPECIFY:  
 BITTE GENAU ANGEBEN:  
 SPÉCIFIEZ SVP:  
 POR FAVOR ESPECIFIQUE:  
 PER FAVORE SPECIFICATE:

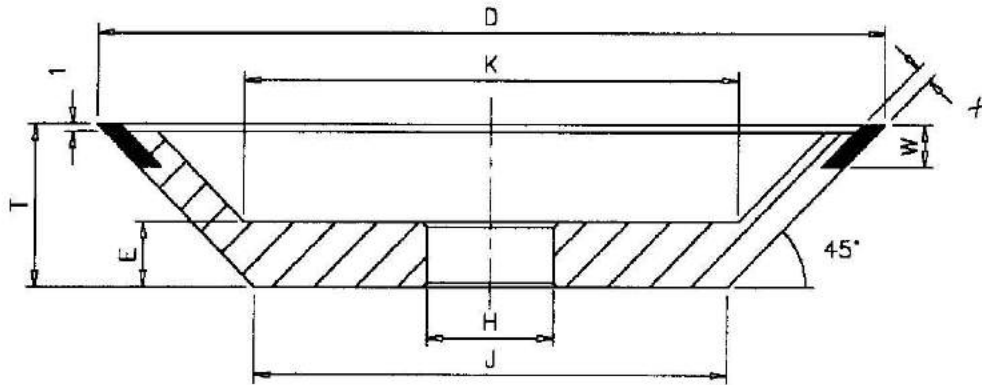


D	W	X	V°	T	E	J	K	H
75	5-6-8	2-3	5-10	15	10	~47	~57	
100	5-6-8-10	2-3	5-10	18	10	~50	~61	
125	6-8-10-12	2-3	5-10	18	10	~75	~84	
150	8-10-12-15	2-3	5-10	20	12	~92	100	

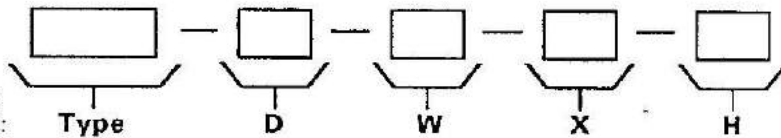
Bore Diameter - Bohrungsdiam. - Diamètre de l'alésage  
 Diametro del orificio - Diámetro del foro

\* In questa tabella le misure sono in "mm"  
 \* In this table all dimension are in "mm"

## Type 12V9



PLEASE SPECIFY:  
 BITTE GENAU ANGEBEN:  
 SPÉCIFIEZ SVP:  
 POR FAVOR ESPECIFIQUE:  
 PER FAVORE SPECIFICATE:



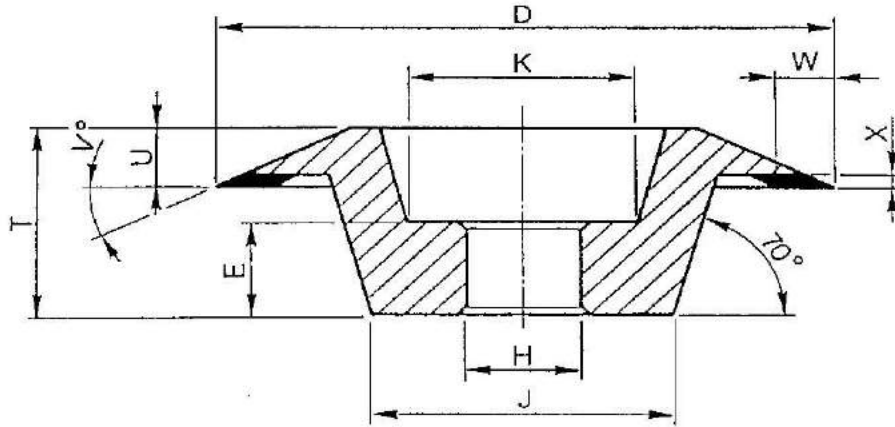
D	W	X	T	E	J	K			H
50	6	2	20	10	25	35			
75	6-10	2-3	20	10	35	45			
100	10	2-3	22	10	60	65			
125	10	2-3	25	10	75	80			
150	10	3	25	10	90	95			

Bore Diameter - Bohrungsdiam. - Diamètre de l'alésage  
 Diameter of the orifice - Diametro del foro

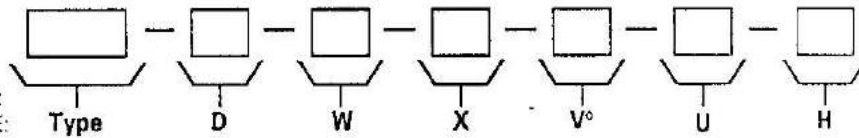
\* In questa tabella le misure sono in "mm "  
 \* In this table all dimension are in "mm "



# Type 13V2



PLEASE SPECIFY:  
 BITTE GENAU ANGEBEN:  
 SPÉCIFIEZ SVP:  
 POR FAVOR ESPECIFIQUE:  
 PER FAVORE SPECIFICATE:

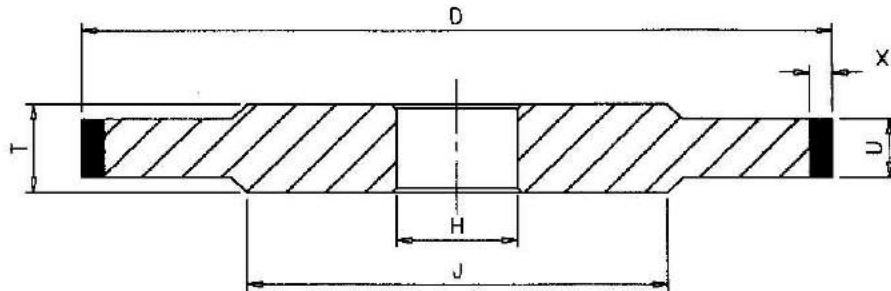


D	W	X	V°	T	E	J	K	H
75	2-3-4	1.5-2-3	25	23	11	~42	~37	
100	2-3-4	1.5-2-3	25	24	11	~62	~52	
125	2-3-4	1.5-2-3	25	24	11	~77	~65	

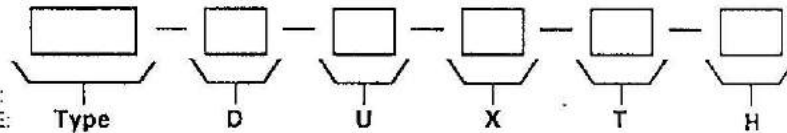
Bore Diameter - Bohrungsdiam. - Diamètre de l'alésage  
 Diametro del orificio - Diámetro del foro

\* In questa tabella le misure sono in "mm"  
 \* In this table all dimension are in "mm"

# Type 14A1



PLEASE SPECIFY:  
 BITTE GENAU ANGEBEN:  
 SPÉCIFIEZ SVP:  
 POR FAVOR ESPECIFIQUE:  
 PER FAVORE SPECIFICATE:

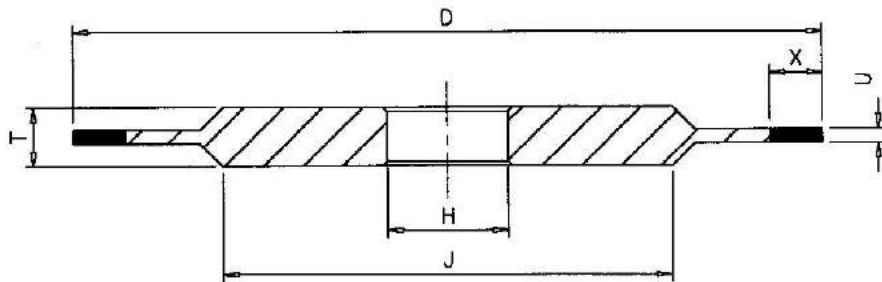


D	U	X	T	J					H
75÷100	3-4-5-6-8-10	2-3-4-5-6	U+3	50÷70					
125÷150	3-4-5-6-8-10-12-15	3-4-5-6	U+3	100÷120					
175÷200	3-4-5-6-8-10-12-15	3-4-5-6	U+3	140÷160					
250÷300	8-10-12-15	3-4-5-6-8-10	U+8	200÷250					
350	8-10-12-15-20	3-4-5-6-8-10	U+10	300					
400	10-12-15-20	3-4-5-6-7-8-10	U+10	350					
450	10-12-15-20	6-10	U+10	400					

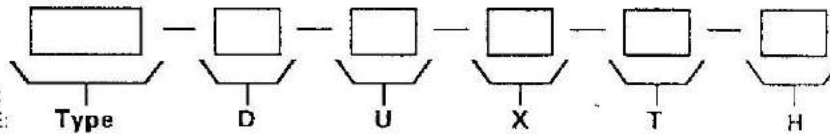
Bore Diameter - Bohrungsdiam. - Diamètre de l'alésage  
 Diametro del orificio - Diámetro del foro

\* In questa tabella le misure sono in "mm "  
 \* In this table all dimension are in "mm "

## Type 14AIR



PLEASE SPECIFY:  
 BITTE GENAU ANGEBEN:  
 SPÉCIFIEZ SVP:  
 POR FAVOR ESPECIFIQUE:  
 PER FAVORE SPECIFICATE:

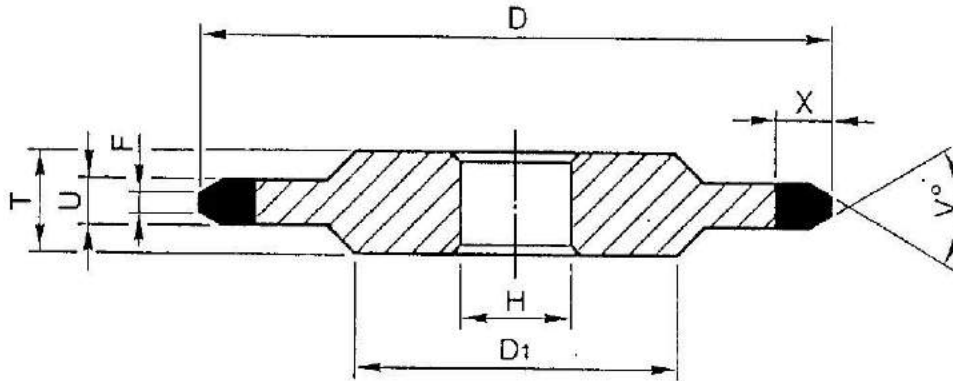


D	W	X	T	J					H
75	0.8-1-1.2-1.5-2-2.5-3	5	6	50					
100	0.8-1-1.2-1.5-2-2.5-3	6	6	70					
125	1-1.2-1.5-2-2.5-3	6	6	100					
150	1-1.2-1.5-2-2.5-3	6	8	120					
175	1-1.2-1.5-2-2.5-3	6	8	140					
200	1-1.2-1.5-2-2.5-3	6	10	160					

Bore Diameter - Bohrungsdiam. - Diamètre de l'alésage  
 Diameter del orificio - Diámetro del foro

\* In questa tabella le misure sono in "mm "  
 \* In this table all dimension are in "mm "

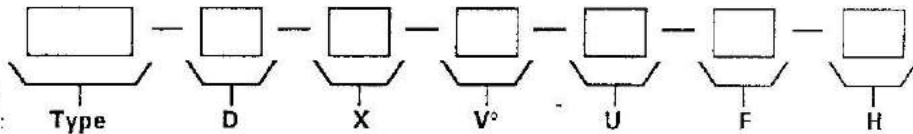
# Type 14D1



$D1 = D \times 0.6$   
 $T = U + 5$



PLEASE SPECIFY:  
 BITTE GENAU ANGEBEN:  
 SPÉCIFIEZ SVP:  
 POR FAVOR ESPECIFIQUE:  
 PER FAVORE SPECIFICATE:



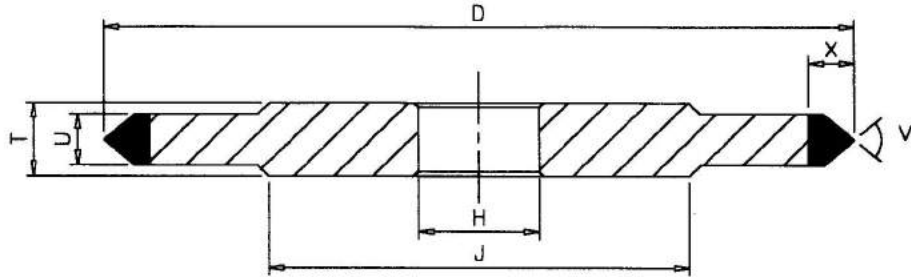
D	V°	U	X						H
75	30-35-40-45-60-90-100-120	1-1.5-2-2.5-3-4-5	6-8-10						
100÷125	30-45-60-90-100-110-120-140-150	1-1.5-2-2.5-3-4-5	6-8-10-12						
150÷175	30-45-60-90-100-110-120-140-150	2-2.5-3-4-5-6-8-10	6-10-12-15						

Bore Diameter - Bohrungsdiamess - Diamètre de l'alésage  
 Diametro del orificio - Diámetro del foro

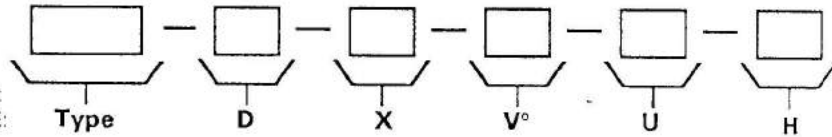
\* In questa tabella le misure sono in "mm"  
 \* In this table all dimension are in "mm"



# Type 14E1



PLEASE SPECIFY:  
 BITTE GENAU ANGEBEN:  
 SPÉCIFIEZ SVP:  
 POR FAVOR ESPECIFIQUE:  
 PER FAVORE SPECIFICATE:

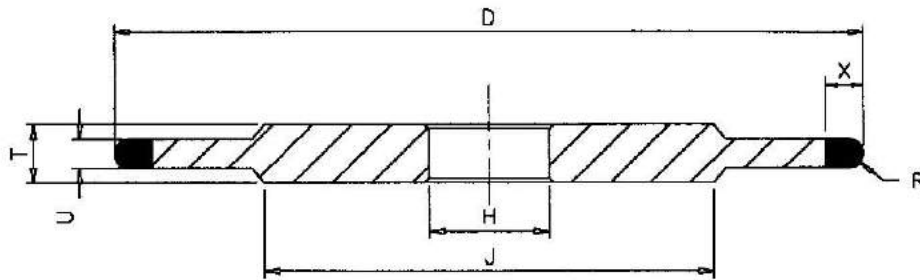


D	V°	U	X	J						H
75	30-35-40-45-60-90-100-120	3-4-5-6-8	4-6-8	Dx0.6						
100÷125	30-45-60-90-100-110-120-140-150	3-4-5-6-8-10	4-6-8-10	Dx0.6						
150÷175	30-45-60-90-100-110-120-140-150	4-5-6-8-10-12	5-6-8-10	Dx0.6						

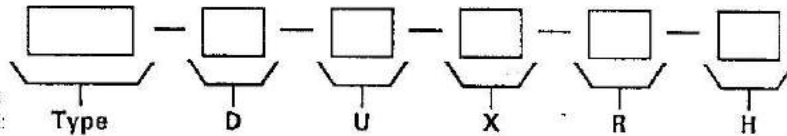
Bores Diameter - Bohrungsmass - Diametre de l'alésage  
 Diámetro del orificio - Diámetro del foro

\* In questa tabella le misure sono in "mm "  
 \* In this table all dimension are in "mm "

# Type 14F1



PLEASE SPECIFY;  
 BITTE GENAU ANGEBEN;  
 SPÉCIFIEZ SVP;  
 POR FAVOR ESPECIFIQUE;  
 PER FAVORE SPECIFICATE:

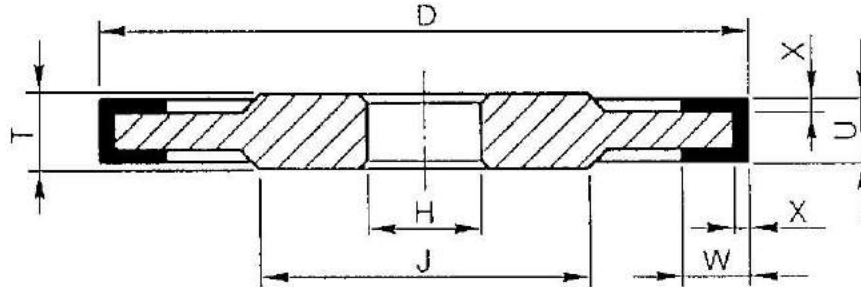


D	U	X	R	T	J					H
75	2/R	5-8	0.5-1-1.25-1.5-2-2.5-3	8	45					
100	2/R	5-6-8-10	0.5-0.6-1-1.25-1.5-2-2.5-3-4-5-6	8÷15	70					
125	2/R	6-8-10	0.5-0.6-1-1.25-1.5-2-2.5-3-4-5-6	8÷15	95					
150	2/R	6-8-10	0.75-1-1.5-2-2.5-3-4-5-6	8÷15	120					
175	2/R	6-8-10	1-1.5-2-2.5-3-4-5-6	8÷15	145					
200	2/R	6-8-10	1-1.5-2-2.5-3-4-5-6	8÷15	170					

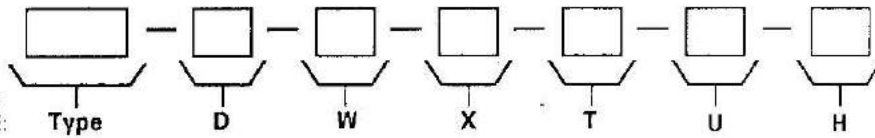
Bore Diameter - Bohrungsdiam. - Diamètre de l'alésage  
 Diametro del orificio - Diámetro del foro

\* In questa tabella le misure sono in "mm"  
 \* In this table all dimension are in "mm"

# Type 14U1



PLEASE SPECIFY:  
 BITTE GENAU ANGEBEN:  
 SPÉCIFIEZ SVP:  
 POR FAVOR ESPECIFIQUE:  
 PER FAVORE SPECIFICATE:

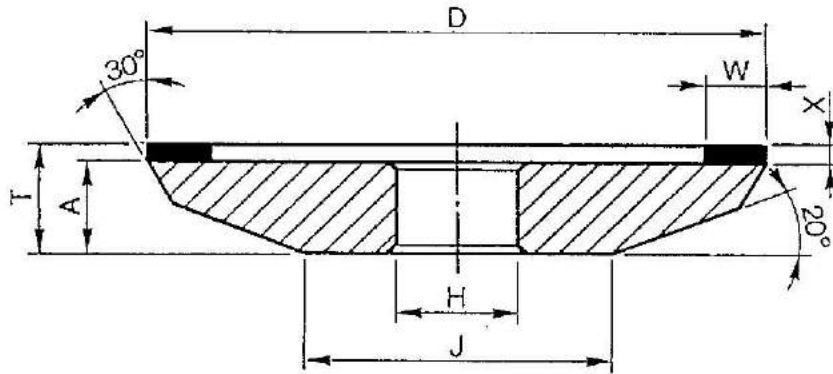


D	W	X	T	U	J				H
75	5	2	8	5	45				
100	5-6-8-10	2-3	8÷10	5-6-8-10	65-75				
125	6-8-10	2-3	8÷10	6-8-10	82-93				
150	6-8-10-12	2-3	8÷15	6-8-10-12	99-112				

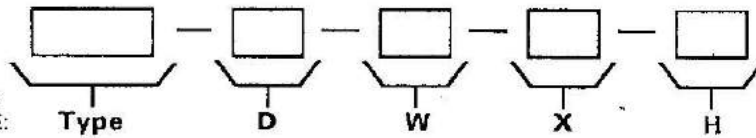
Bore Diameter - Bohrungsdiam. - Diamètre de l'alésage  
 Diametro del orificio - Diámetro del foro

\* In questa tabella le misure sono in "mm"  
 \* In this table all dimension are in "mm"

## Type 15A2



PLEASE SPECIFY:  
 BITTE GENAU ANGEBEN:  
 SPÉCIFIEZ SVP:  
 POR FAVOR ESPECIFIQUE:  
 PER FAVORE SPECIFICATE:



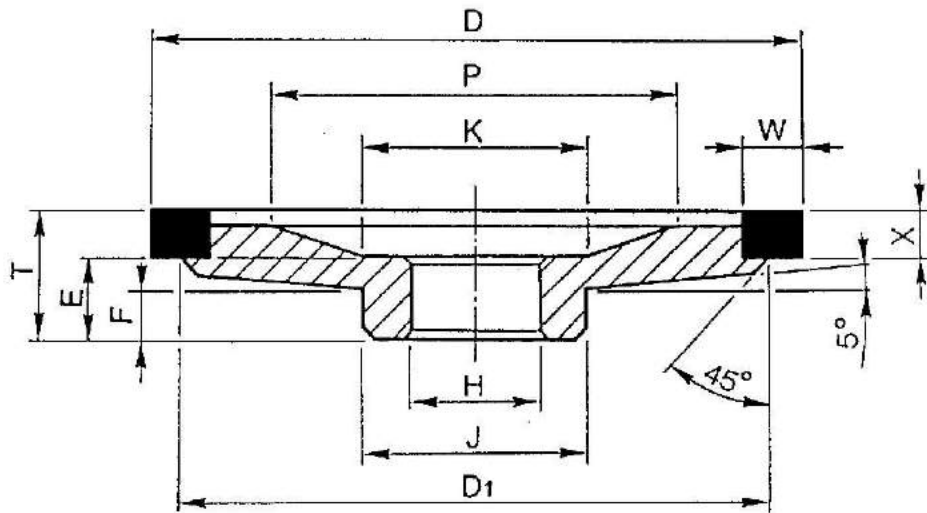
D	W	X	T	A	J				H
75	3-4-5-6	2-3	A+X	9	40				
100	3-4-5-6-8-10	2-3-4	A+X	9	55				
125	5-6-8-10-12	2-3-4	A+X	10	70				
150	6-8-10-12-15	2-3-4	A+X	12	90				

Bore Diameter - Bohrungsdurchmesser - Diamètre de l'alésage  
 Diámetro del orificio - Diámetro del foro

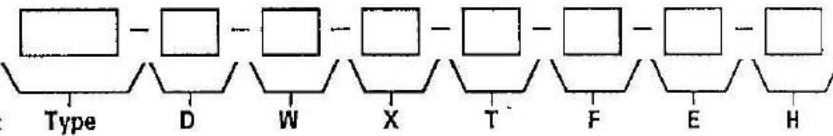
\* In questa tabella le misure sono in "mm"  
 \* In this table all dimension are in "mm"



# Type 15A9



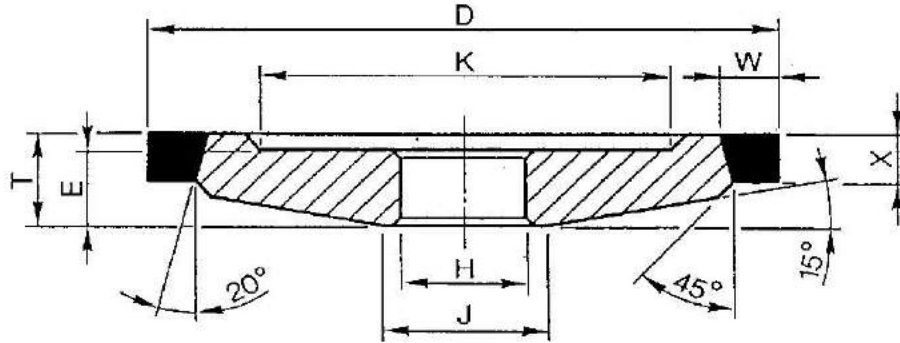
PLEASE SPECIFY:  
 BITTE GENAU ANGEBEN.  
 SPÉCIFIEZ SVP:  
 POR FAVOR ESPECIFIQUE:  
 PER FAVORE SPECIFICATE:



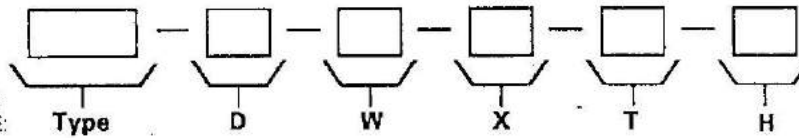
D	W	X	T	E	F	J	D <sub>1</sub>	P	H
75	3-4-5-6	2-3-4-5	10÷14	8	3÷7	30÷40	D-W	P = D - ( 2W+10 )	Bore Diameter - Bohrungsdiamess - Diamètre de l'alésage Diametro del orificio - Diámetro del foro
100	3-4-5-6	2-3-4-5-6	14÷16	10	3÷7	45÷55	D-W		

\* In questa tabella le misure sono in "mm "  
 \* In this table all dimension are in "mm "

# Type 15B9



PLEASE SPECIFY:  
BITTE GENAU ANGEBEN:  
SPÉCIFIEZ SVP:  
POR FAVOR ESPECIFIQUE:  
PER FAVORE SPECIFICATE:

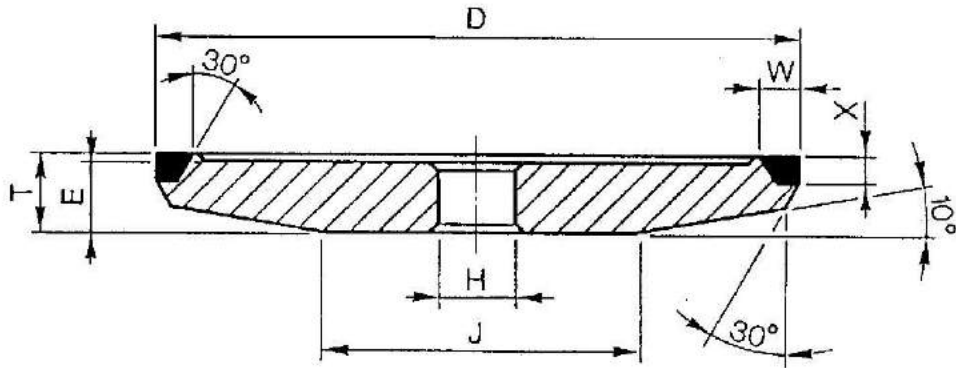


D	W	X	T	E	J	K			H
100	3-4-5-6	3-4-5	12	T-2	~32	~70			
125	3-4-5-6	3-4-5	14	T-2	~52	100			

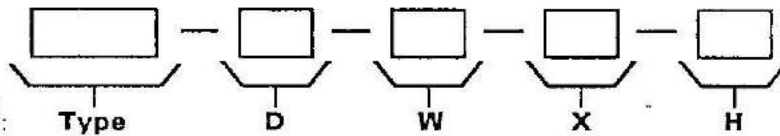
Bore Diameter - Bohrungsdiamess - Diamètre de l'alésage  
Diametro del orificio - Diámetro del foro

\* In questa tabella le misure sono in "mm"  
\* In this table all dimension are in "mm"

# Type 15B9A



PLEASE SPECIFY:  
 BITTE GENAU ANGEBEN:  
 SPÉCIFIEZ SVP:  
 POR FAVOR ESPECIFIQUE:  
 PER FAVORE SPECIFICATE:

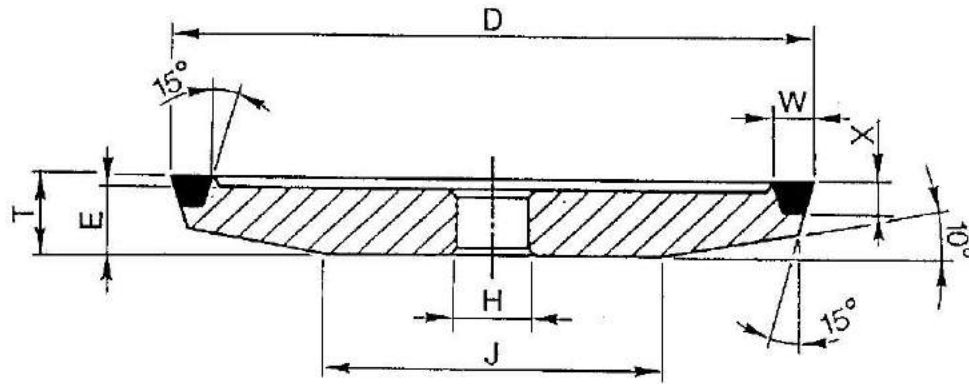


D	W	X	T	E	J				H
100	2-3-4-5	2-3-4	10	T-1	~40				
125	2-3-4-5-6	2-3-4	12	T-1	~50				
150	3-4-5-6	2-3-4-5	12	T-1	~65				

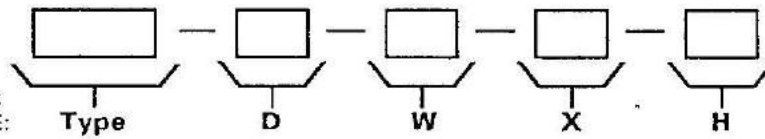
Bore Diameter - Bohrungsdiam. - Diamètre de l'alésage  
 Diámetro del orificio - Diámetro del foro

\* In questa tabella le misure sono in "mm"  
 \* In this table all dimension are in "mm"

# Type 15B9V



PLEASE SPECIFY:  
 BITTE GENAU ANGEBEN:  
 SPÉCIFIEZ SVP:  
 POR FAVOR ESPECIFIQUE:  
 PER FAVORE SPECIFICATE:



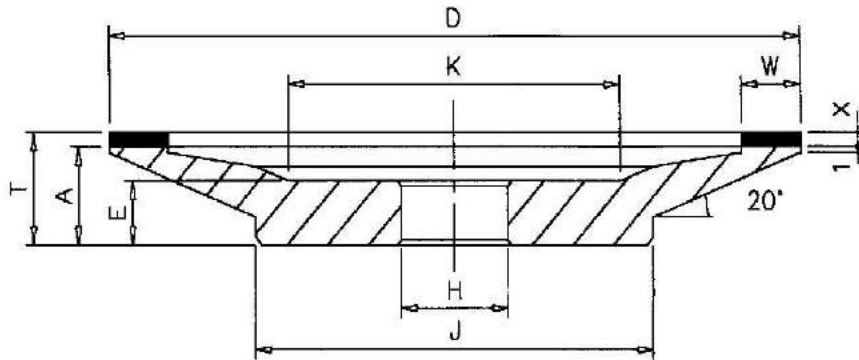
D	W	X	T	E	J				H
100	2-3-4-5	2-3-4	10	T-1	~30				
125	2-3-4-5-6	2-3-4	12	T-1	~50				
150	3-4-5-6	2-3-4-5	12	T-1	~65				

Bore Diameter - Bohrungsdiam. - Diamètre de l'alésage  
 Diametro del orificio - Diámetro del foro

\* In questa tabella le misure sono in "mm"  
 \* In this table all dimension are in "mm"



# Type 16A2



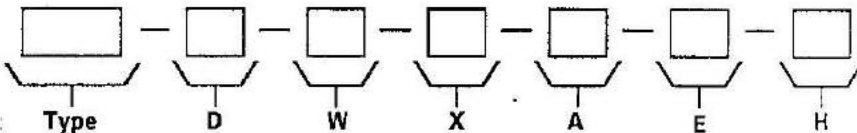
**PLEASE SPECIFY:**

BITTE GENAU ANGEBEN:

SPÉCIFIEZ SVP:

POR FAVOR ESPECIFIQUE:

PER FAVORE SPECIFICATE:



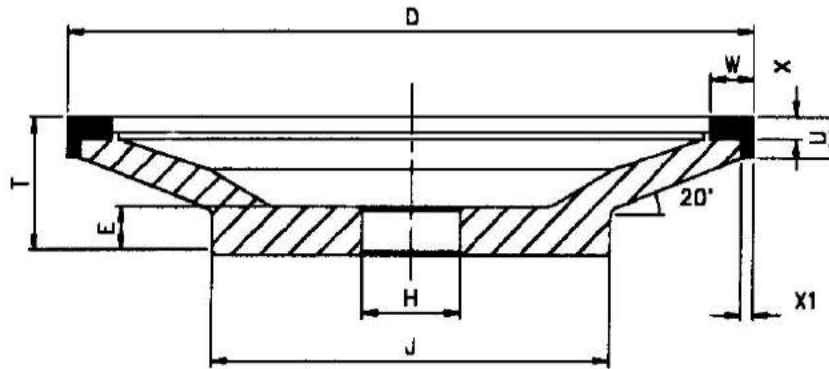
D	W	X	T	E	A	J	K	H
75	3-4-5-6-8	2-3-4	A+X	6	8	~57	37	
100	3-4-5-6-8-10	2-3-4	A+X	8	10	~77	50	
125	3-4-5-6-8-10-12	2-3-4	A+X	10	14	~80	~55	
150	5-6-8-10-12-15	2-3-4-5	A+X	10	16	~90	~60	
175	6-8-10-12-15	2-3-4-5	A+X	11	26	~95	~65	
200	6-8-10-12-15	2-3-4-5-6	A+X	12	28	100	~70	

Bore Diameter - Bohrungsdiameter - Diamètre de l'alésage  
Diameter of orifice - Diametro del foro

\* In questa tabella le misure sono in "mm "

\* In this table all dimension are in "mm "

# Type 16C9



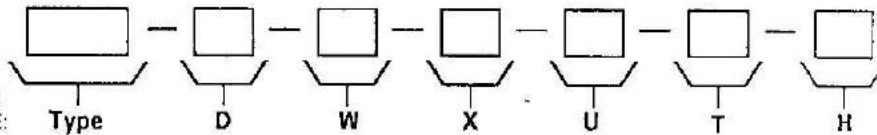
PLEASE SPECIFY:

BITTE GENAU ANGEBEN:

SPÉCIFIEZ SVP:

POR FAVOR ESPECIFIQUE:

PER FAVORE SPECIFICATE:



D	W	X	U	T	X <sub>1</sub>				H
100	5	3	X+1	13	1				Bore Diameter - Bohrungsdiam. - Diamètre de l'alésage Diámetro del orificio - Diámetro del foro
125	5	3-4	X+1	18	1				
150	5-6	3-4	X+1	20	1				

\* In questa tabella le misure sono in "mm "

\* In this table all dimension are in "mm "