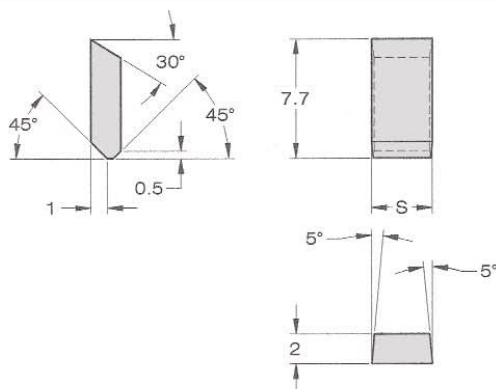




TUNGSTEN CARBIDE SAW TEETH

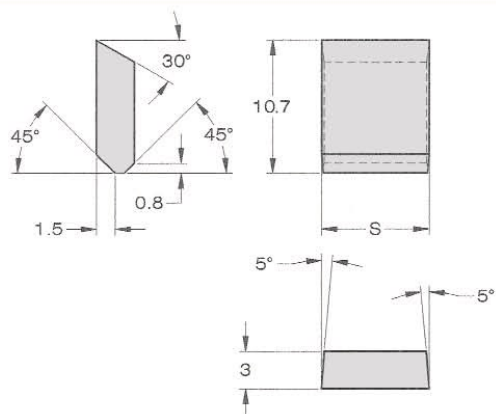


D 80



CODE	DIMENSIONS (mm)	
	S	
D 80 - 2.2	2,2	
D 80 - 3	3,0	
D 80 - 3.3	3,3	
D 80 - 3.7	3,7	
D 80 - 4	4,0	
D 80 - 4.3	4,3	
D 80 - 4.5	4,5	
D 80 - 5.5	5,5	

D 80



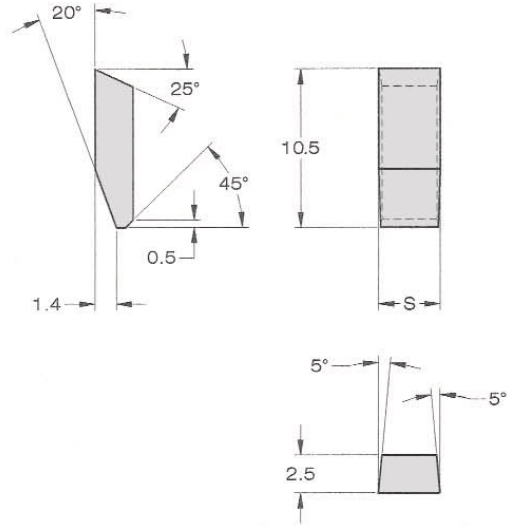
CODE	DIMENSIONS (mm)	
	S	
D 80 - 8.5	8,5	
D 80 - 9.5	9,5	
D 80 - 10.5	10,5	

D 81

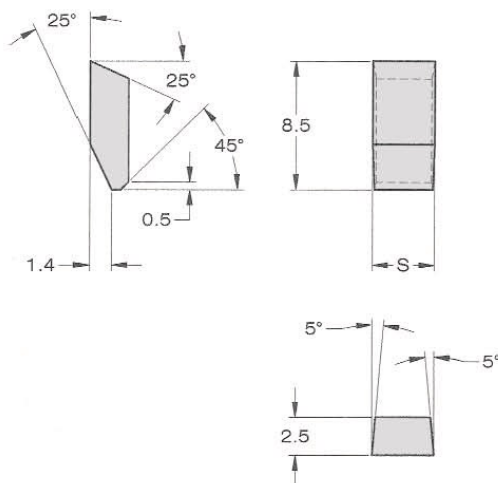
Technical drawing area with a grid and a drawing tool icon.



Technical drawing area with a grid and a drawing tool icon.



CODE	DIMENSIONS (mm)	
	S	
D 81 - 3	3,0	
D 81 - 3.4	3,4	
D 81 - 3.7	3,7	
D 81 - 4	4,0	
D 81 - 4.3	4,3	
D 81 - 4.5	4,5	
D 81 - 5	5,0	
D 81 - 5.5	5,5	
D 81 - 6	6,0	
D 81 - 6.5	6,5	



CODE	DIMENSIONS (mm)	
	S	
D 82 - 2.5	2,5	
D 82 - 3	3,0	
D 82 - 3.4	3,4	
D 82 - 3.7	3,7	
D 82 - 4	4,0	
D 82 - 4.3	4,3	
D 82 - 4.5	4,5	
D 82 - 5	5,0	
D 82 - 6	6,0	
D 82 - 7	7,0	
D 82 - 8	8,0	
D 82 - 9	9,0	
D 82 - 10	10,0	
D 82 - 11	11,0	
D 82 - 13	13,0	
D 82 - 15	15,0	
D 82 - 17	17,0	



5-4

**ALL TUNGSTEN CARBIDE TIPS AND TEETH CAN BE
SUPPLIED ACCORDING TO CUSTOMER'S REQUIREMENT**

